

PORTACOOOL®

WWW.PORTACOOOL.COM

WIRELESS CONNECTIVITY



APEX SERIES

MADE IN USA 
WITH DOMESTIC AND GLOBAL PARTS

PORTACOOOL®

At Portacool, great products start with a strong company. For the past three decades, we have embodied trust, innovation, and industry leadership in portable evaporative cooling. Our story began in 1990 when we introduced the world to the first-ever portable evaporative cooler designed to provide economical and effective cooling wherever needed.

Today, Portacool is a trusted industry leader in portable evaporative cooling in 50 U.S. states and 56 countries. Our roots remain firmly planted in Center, Texas, a small town that has retained its original charm while embracing modernization, thanks partly to companies like Portacool.

Our portable evaporative coolers have proven highly effective in diverse applications, from agriculture and horticulture to automotive, manufacturing, industrial, entertainment, sports, homes, and hobbies. We believe that cooling is a necessity, not just a luxury. Our mission is to make it accessible to everyone for thriving at work, home, and play.

Portacool's commitment to product quality is unwavering. We believe the drive for success and the pursuit of excellence are embedded in every breeze our coolers produce. Join us in experiencing the quality that defines Portacool and sets industry standards. Trust in Portacool – where quality and innovation meet to bring you a cooler, more comfortable world.



APEX SERIES

PERFORMANCE, TECHNOLOGY, AND EXTERIOR DESIGN

Come with us on a journey towards a cooler, sustainable, and more connected future.

Welcome to the new Portacool Apex™ series, where technology, innovation, and simplicity converge to shape the environment and breathe sustainable cooling into every space; be it your home, the workplace, the sports field, or any place where life unfolds.



Our high-velocity coolers reach up to 60 ft.



Enhanced fan and motor design is quieter and more efficient



Automatic shut-off and alerts



Saving water and reducing costs with eco-friendly media



Lifetime warranty on housing

500 & 700

Small Space & Spot Cooling (Up to 700 Sq. Ft.)



1200 & 2000

Mid-Size Space Cooling (Up to 2000 Sq. Ft.)



4000 & 6500

Large Space Cooling (Up to 6500 Sq. Ft.)



Apex

Discover the Portacool Apex™ 500, where innovation and simplicity join to help you stay cool in every space. As quiet as a library at 53 dB, this cooler is perfect for cooling an area of 500 square feet, making it ideal for places such as workshops, auto shops, and outdoor decks. It delivers a robust 55 ft. breeze, ensuring cool comfort without disrupting the peace.

Space Optimization: Achieve maximum cooling without sacrificing space. Our slimmer profile and new front intake allows you to place your Portacool evaporative cooler against any wall.

Connectivity: Powered by Portacool CoolSync™ technology. Complete digital display with Wi-Fi capability. Control your environment from anywhere.

Extended Cooling Reach: Our high-velocity cooler delivers a refreshing breeze up to 55 ft. away.

Digital Louver Control: The oscillating louvers allow customized airflow to maximize your cooling coverage.

Whisper Quiet Performance: The centrifugal blower design and motor combination reduce noise, creating a tranquil cooling environment.

Smart Water Management: The Portacool Apex series ensures worry free operation with digital water level indicators and performance alerts.

Efficient Media Absorbency: Portacool's proprietary media technology ensures optimal cooling efficiencies while reducing cost and providing an eco-friendly solution.

Lifetime Warranty: The cooler's rotational molded housing comes with an industry-leading warranty.

Unmatched Portability: Built-in handle with lightweight housing ensures easy transportation over any terrain.

Easy Water Refill: Swiftly refill the tank via a convenient hatch or through the 3/4" hose connection for uninterrupted cooling experience.



APEX SERIES 500



DIRECT AIRFLOW 55 Ft.

500 Sq. Ft.

SLIMMER PROFILE

Digital display CoolSync™ technology

Improved 8" Portacool edge-coat media technology with new water distribution process

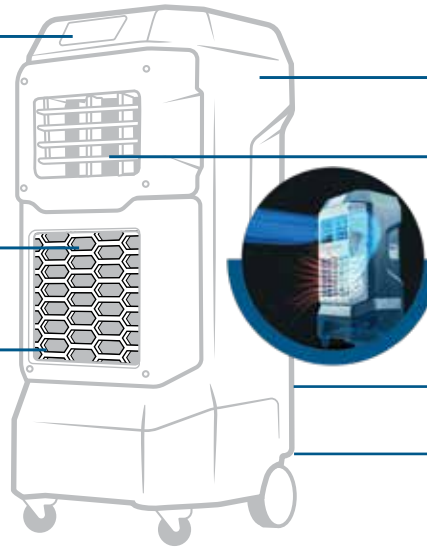
Frontline airflow inlet

Tough-coat rotational molded textured housing

Oscillating louvers

Recessed hose and power cord location

Low point drain location



MODEL NUMBER	OPTIMAL COOLING (Sq. Ft.)	VELOCITY (Mph)	AIR FLOW REACH (Ft.)	NOISE (dB)	WATER RESERVOIR (Gallons)	PRODUCT WEIGHT (Without Water)	AIRFLOW (CFM's)	AMP'S	DIMENSIONS (In.)
PACA05001A1	UP TO 500	40	55	53	13	70	800	2.4	(HEIGHT) 46 (DEPTH) 19.5 (WIDTH) 22

* Standard 120v.

* 3 year warranty on motor and electrical components.

Apex

Introducing the Apex™ 700, your stylish evaporative cooling solution. This cooler is designed for simplicity and sophistication. With a quiet operation of just 53 dB, it covers areas up to 700 square feet and reaches up to 60 ft. From weddings, events, and cookouts to harsh environments like auto shops, construction, and manufacturing sites, the Apex 700 ensures cool comfort anytime, anywhere. Say goodbye to sweating it out and hello to the cooling power of the Apex 700.

Space Optimization: Achieve maximum cooling without sacrificing space. Our slimmer profile and new front intake allows you to place your Portacool evaporative cooler against any wall.

Connectivity: Powered by Portacool CoolSync™ technology. Complete digital display with Wi-Fi capability. Control your environment from anywhere.



Extended Cooling Reach: Our high-velocity cooler delivers a refreshing breeze up to 60 ft. away.

Digital Louver Control: The oscillating louvers allow customized airflow to maximize your cooling coverage.

Whisper Quiet Performance: The centrifugal blower design and motor combination reduce noise, creating a tranquil cooling environment.

Smart Water Management: The Portacool Apex series ensures worry free operation with digital water level indicators and performance alerts.

Efficient Media Absorbency: Portacool's proprietary media technology ensures optimal cooling efficiencies while reducing cost and providing an eco-friendly solution.

Lifetime Warranty: The cooler's rotational molded housing comes with an industry-leading warranty.

Unmatched Portability: Built-in handle with lightweight housing ensures easy transportation over any terrain.

Easy Water Refill: Swiftly refill the tank via a convenient hatch or through the 3/4" hose connection for uninterrupted cooling experience.

APEX SERIES 700



DIRECT AIRFLOW 60 Ft.

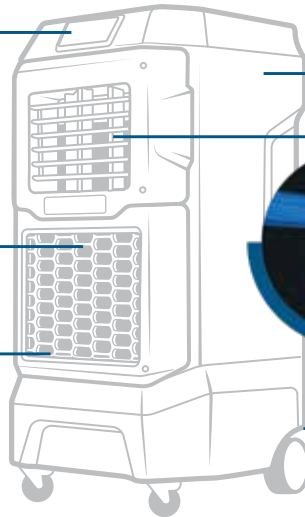
700 Sq. Ft.

SLIMMER PROFILE

Digital display with CoolSync™ technology

Improved 8" Portacool edge-coat media technology with new water distribution process

Frontline airflow inlet



Tough-coat rotational molded textured housing

Oscillating louvers

Recessed hose and power cord location

Low point drain location



MODEL NUMBER	OPTIMAL COOLING (Sq. Ft.)	VELOCITY (Mph)	AIR FLOW REACH (Ft.)	NOISE (dB)	WATER RESERVOIR (Gallons)	PRODUCT WEIGHT (Without Water)	AIRFLOW (CFM's)	AMP'S	DIMENSIONS (In.)
PACA07001A1	UP TO 700	37	60	53	22	88	1400	4.0	(HEIGHT) 52 (DEPTH) 24 (WIDTH) 27

* Standard 120v.

* 3 year warranty on motor and electrical components.

Apex

Discover the Portacool Apex™ 1200, where innovation and simplicity join to help you stay cool in every space, slightly quieter than a spring rain shower at 51 dB. This cooler design cools up to 1200 square feet of space in areas such as repair shops, event centers, assembly lines, and sporting events. Its 40 ft. airflow cools larger areas efficiently, preserving a serene ambiance.

Connectivity: Powered by Portacool CoolSync™ technology. Complete digital display with Wi-Fi capability. Control your environment from anywhere.

Extended Cooling Reach: Our high-velocity cooler delivers a refreshing breeze up to 40 ft. away.

Whisper Quiet Performance: The unique fan blade and motor design combination minimizes noise, creating a tranquil environment while delivering powerful cooling.

Smart Water Management: The Portacool Apex series ensures worry free operation with digital water level indicators and performance alerts.



Efficient Media Absorbency:

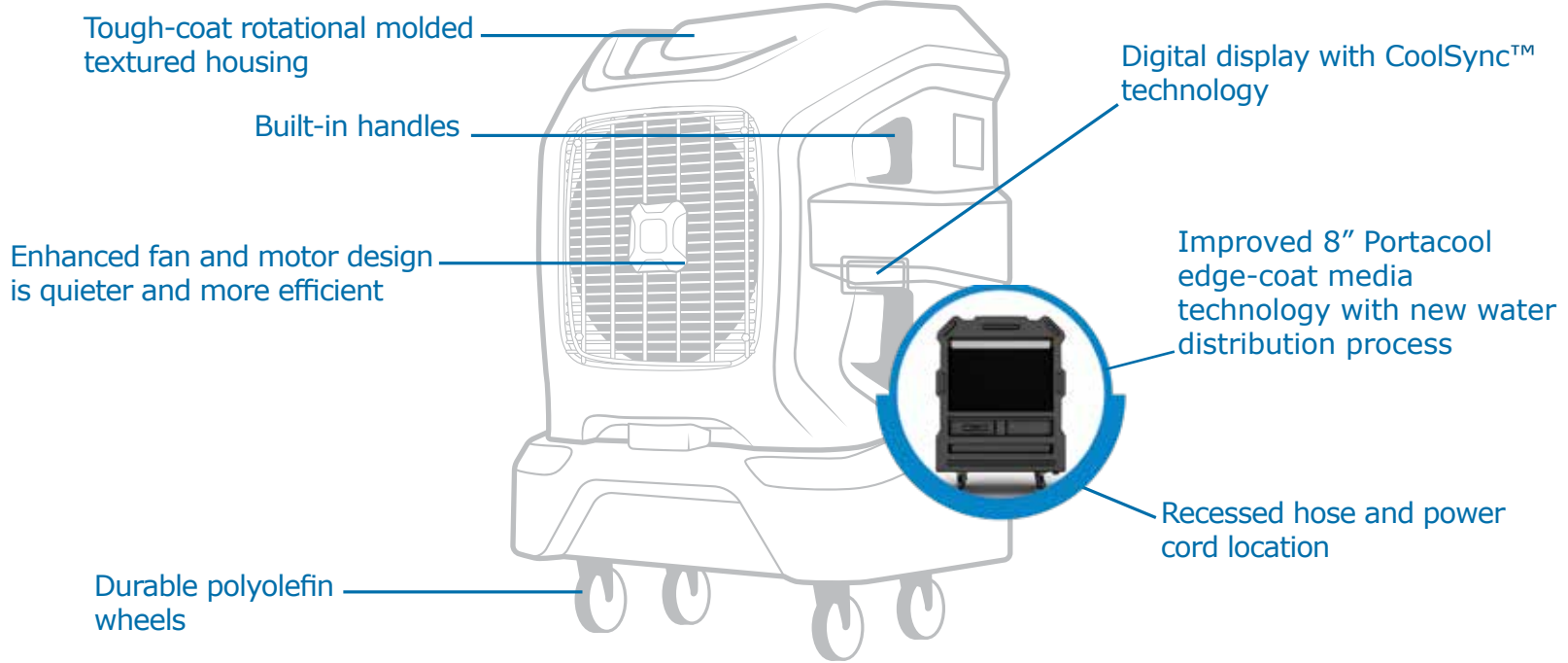
Portacool's proprietary media technology ensures optimal cooling efficiencies while reducing cost and providing an eco-friendly solution.

Lifetime Warranty: The cooler's rotational molded housing comes with an industry-leading warranty.

Unmatched Portability: Built-in handles and lightweight housing ensure easy transportation over any terrain.

Easy Water Refill: Swiftly refill the tank via a convenient hatch or through the continuous 3/4" hose connection for uninterrupted cooling experience.

APEX SERIES 1200



MODEL NUMBER	OPTIMAL COOLING (Sq. Ft.)	VELOCITY (Mph)	AIR FLOW REACH (Ft.)	NOISE (dB)	WATER RESERVOIR (Gallons)	PRODUCT WEIGHT (Without Water)	AIRFLOW (CFM's)	AMP'S	DIMENSIONS (In.)
PACA12001A1	UP TO 1200	25	40	51	40	134	4000	5.0	(HEIGHT) 58 (DEPTH) 26 (WIDTH) 42

* Standard 120v.
* 3 year warranty on motor and electrical components.

Apex

Experience the Portacool Apex™ 2000, where innovation and simplicity help you stay cool in any space. Efficiently managing midsize areas up to 2000 square feet, this cooler operates at a conversational 58 dB. Ideal for garages, auto shops, gyms, workshops, community halls, and outdoor dining areas. The Apex 2000 delivers a refreshing breeze extending to 60 ft. while ensuring a comfortable sound level.

Connectivity: Powered by Portacool CoolSync™ technology. Complete digital display with Wi-Fi capability. Control your environment from anywhere.

Extended Cooling Reach: Our high-velocity cooler delivers a refreshing breeze up to 60 ft. away.

Whisper Quiet Performance: The unique fan blade and motor design combination minimizes noise, creating a tranquil environment while delivering powerful cooling.

Smart Water Management: The Portacool Apex series ensures worry free operation with digital water level indicators and performance alerts.

Efficient Media Absorbency: Portacool's proprietary media technology ensures optimal cooling efficiencies while reducing cost and providing an eco-friendly solution.

Lifetime Warranty: The cooler's rotational molded housing comes with an industry-leading warranty.

Unmatched Portability: Built-in handles and lightweight housing ensure easy transportation over any terrain.

Easy Water Refill: Swiftly refill the tank via a convenient hatch or through the continuous 3/4" hose connection for uninterrupted cooling experience.



APEX SERIES 2000

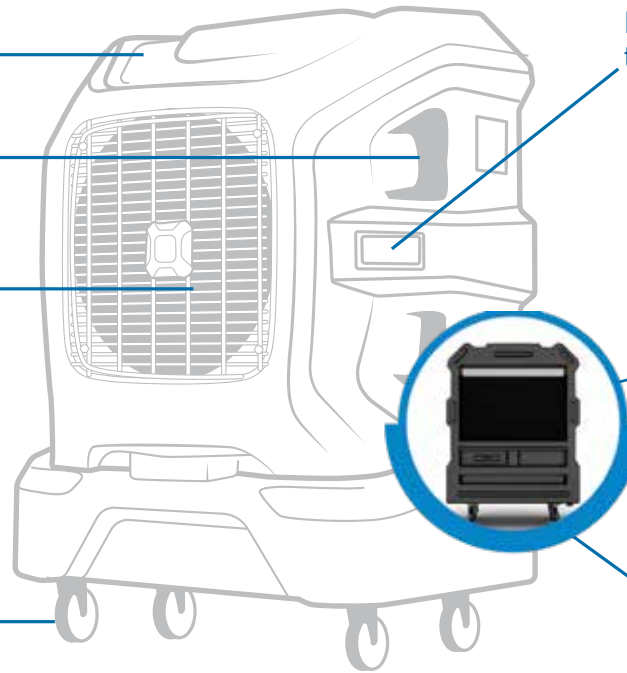


Tough-coat rotational molded textured housing

Built-in handles

Enhanced fan and motor design is quieter and more efficient

Durable polyolefin wheels



Digital display with CoolSync™ technology

Improved 8" Portacool edge-coat media technology with new water distribution process

Recessed hose and power cord location



MODEL NUMBER	OPTIMAL COOLING (Sq. Ft.)	VELOCITY (Mph)	AIR FLOW REACH (Ft.)	NOISE (dB)	WATER RESERVOIR (Gallons)	PRODUCT WEIGHT (Without Water)	AIRFLOW (CFM's)	AMP'S	DIMENSIONS (In.)
PACA20001A1	UP TO 2000	28	60	58	45	191	6700	8.0	(HEIGHT) 68 (DEPTH) 30 (WIDTH) 54

* Standard 120v.

* 3 year warranty on motor and electrical components.

COOLSYNC™

TECHNOLOGY

The ultimate evaporative coolers are here. Connectivity powered by CoolSync™ Technology. Sync your cooler to your smartphone and take total control from anywhere.

Convenience: No more manual adjustments and constant monitoring. Control your evaporative cooler with the Portacool app from your phone or computer.

Personalized: Customize your surroundings by adjusting the fan speed and optimizing performance to ensure the perfect atmosphere.

Total Peace of Mind: Water level monitoring with real-time updates and alerts.

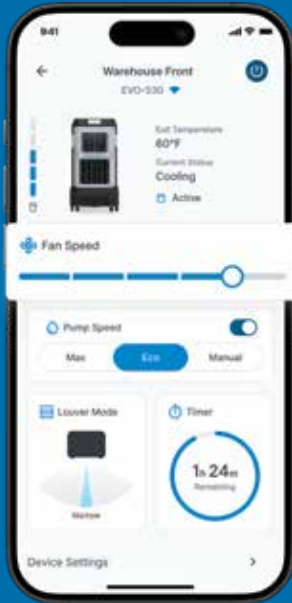
Multi-Unit Control: Manage any number of units in the same app.

Efficiency and Savings: Optimize performance. Monitor water levels and cut energy costs.



Download the Portacool app today.





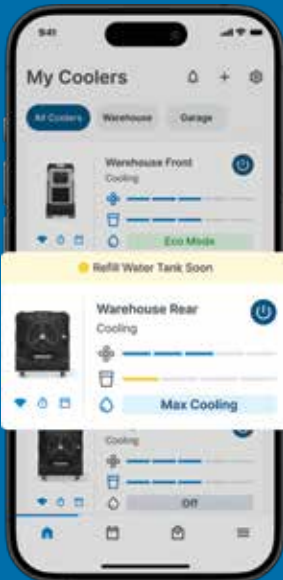
Cooler Control



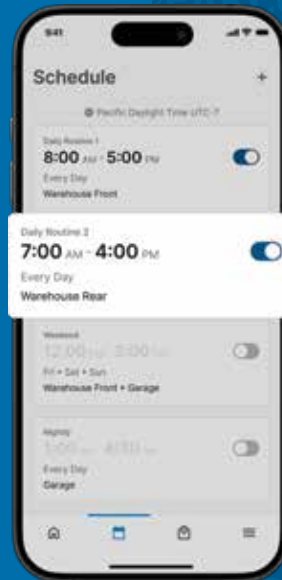
Group Control



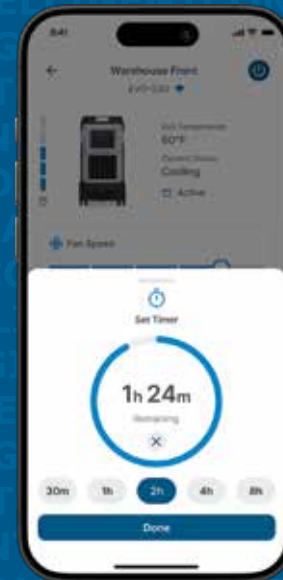
Oscillating Louver Control



Status Monitoring



Scheduling Functions



Convenient Timer Settings for Run & Automatic Shutoff

APEX

Introducing the Portacool Apex™ 4000: the perfect blend of innovation and simplicity to keep you cool wherever you go. Operating at a volume comparable to an electric toothbrush, this unit is designed to cool spaces up to 4000 square feet, emits just 62 dB. It offers extensive cooling for expansive areas with minimal noise and is ideal for industrial, commercial, and large event venues. The Apex 4000 provides a refreshing breeze that reaches up to 50 ft. while maintaining a comfortable sound level.

Connectivity: Powered by Portacool CoolSync™ technology. Complete digital display with Wi-Fi capability. Control your environment from anywhere.

Extended Cooling Reach: Our high-velocity cooler delivers a refreshing breeze up to 50 ft. away.

Whisper Quiet Performance: The unique fan blade and motor design combination minimizes noise, creating a tranquil environment while delivering powerful cooling.

Smart Water Management: The Portacool Apex series ensures worry free operation with digital water level indicators and performance alerts.

Efficient Media Absorbency: Portacool's proprietary media technology ensures optimal cooling efficiencies while reducing cost and providing an eco-friendly solution.

Lifetime Warranty: The cooler's rotational molded housing comes with an industry-leading warranty.

Unmatched Portability: Built-in handles and lightweight housing ensure easy transportation over any terrain.

Easy Water Refill: Swiftly refill the tank via a convenient hatch or through the continuous 3/4" hose connection for uninterrupted cooling experience.

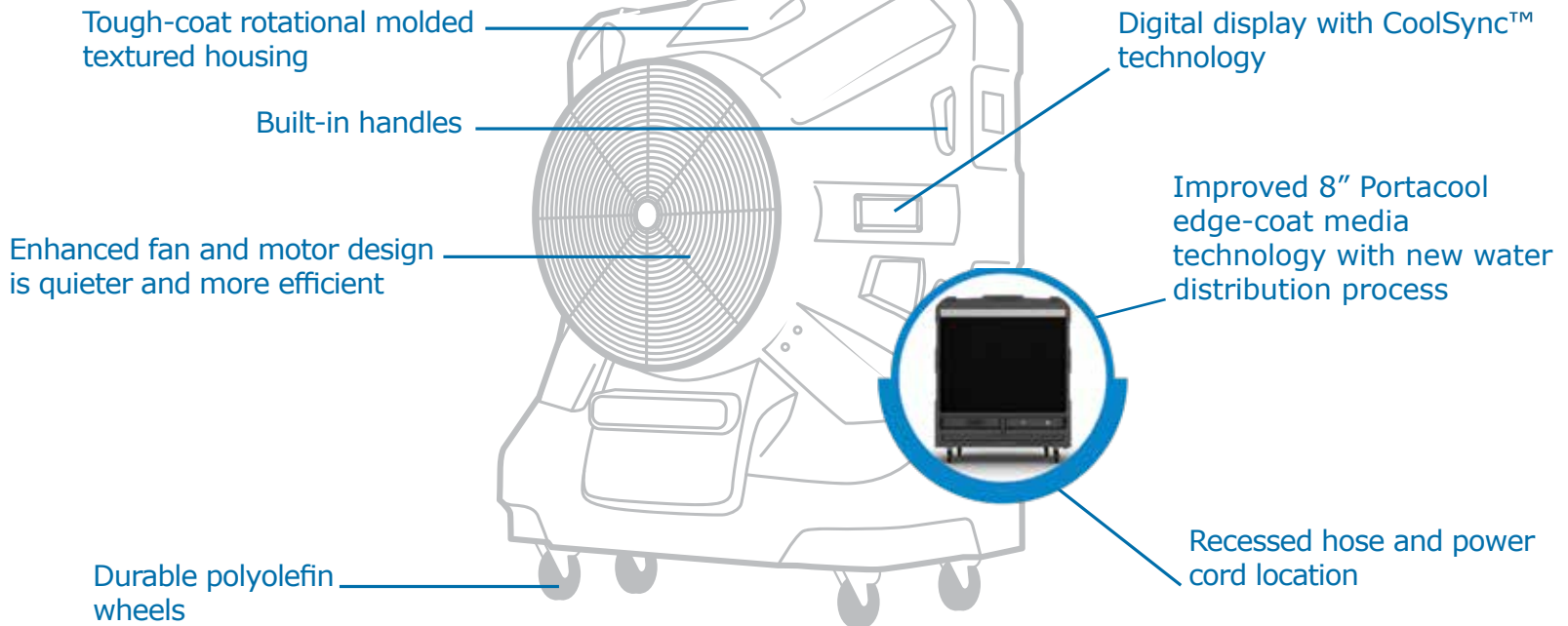


APEX SERIES 4000



DIRECT AIRFLOW 50 Ft.

4000 Sq. Ft.



MODEL NUMBER	OPTIMAL COOLING (Sq. Ft.)	VELOCITY (Mph)	AIR FLOW REACH (Ft.)	NOISE (dB)	WATER RESERVOIR (Gallons)	PRODUCT WEIGHT (Without Water)	AIRFLOW (CFM'S)	AMP'S	DIMENSIONS (In.)
PACA40001A1	UP TO 4000	25	50	62	55	220	13250	9.0	(HEIGHT) 77 (DEPTH) 33 (WIDTH) 63

* Standard 120v.

* 3 year warranty on motor and electrical components.

APEX

Experience the Portacool Apex™ 6500, where innovation and simplicity keep you cool in any environment. With a noise level similar to a hairdryer at 68 dB, this cooler is perfect for large spaces spanning up to 6500 square feet. It's well-suited for industrial warehouses, manufacturing facilities, expansive commercial venues, and outdoor festivals, providing ample cooling coverage without causing excessive noise disturbances. Enjoy a refreshing breeze that extends up to 40 ft. while ensuring a comfortable sound level.

Connectivity: Powered by Portacool CoolSync™ technology. Complete digital display with Wi-Fi capability. Control your environment from anywhere.

Extended Cooling Reach: Our high-velocity cooler delivers a refreshing breeze up to 40 ft. away.

Whisper Quiet Performance: The unique fan blade and motor design combination minimizes noise, creating a tranquil environment while delivering powerful cooling.

Smart Water Management: The Portacool Apex series ensures worry free operation with digital water level indicators and performance alerts.

Efficient Media Absorbency: Portacool's proprietary media technology ensures optimal cooling efficiencies while reducing cost and providing an eco-friendly solution.

Lifetime Warranty: The cooler's rotational molded housing comes with an industry-leading warranty.

Unmatched Portability: Built-in handles and lightweight housing ensure easy transportation over any terrain.

Easy Water Refill: Swiftly refill the tank via a convenient hatch or through the continuous 3/4" hose connection for uninterrupted cooling experience.



APEX SERIES 6500



DIRECT AIRFLOW 40 Ft.

6500 Sq. Ft.



Tough-coat rotational molded textured housing

Built-in handles

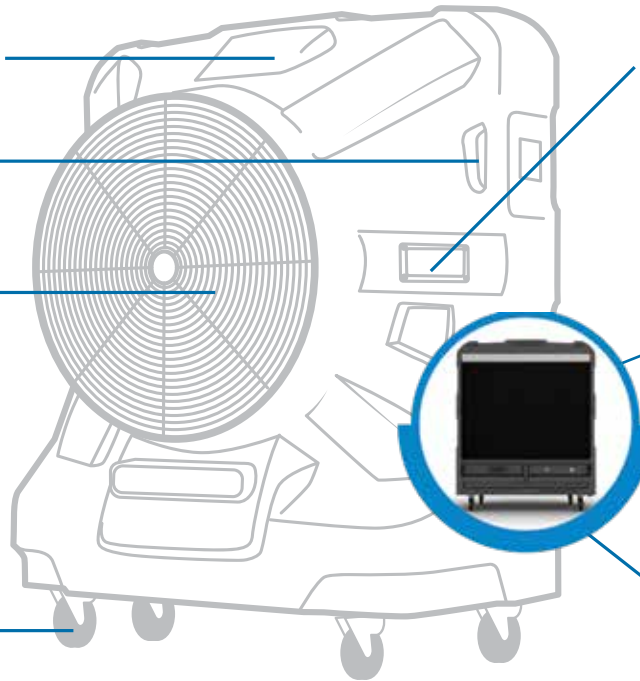
Digital display with CoolSync™ technology

Enhanced fan and motor design is quieter and more efficient

Improved 8" Portacool edge-coat media technology with new water distribution process

Durable polyolefin wheels

Recessed hose and power cord location



MODEL NUMBER	OPTIMAL COOLING (Sq. Ft.)	VELOCITY (Mph)	AIR FLOW REACH (Ft.)	NOISE (dB)	WATER RESERVOIR (Gallons)	PRODUCT WEIGHT (Without Water)	AIRFLOW (CFM'S)	AMP'S	DIMENSIONS (In.)
PACA65001A1	UP TO 6500	24	40	68	66	290	22000	14.7	(HEIGHT) 90 (DEPTH) 39 (WIDTH) 78

* Standard 120v.

* 3 year warranty on motor and electrical components.

REPLACEMENT PARTS

PRODUCT	COVERS	MOTOR	PUMP	MEDIA	CASTERS	CONTROLS
PACA05001A1	CVRR0001K	BLWS0014K	PMPR0005K	PACHT500K	CSTR0008K	CTRL0006K
PACA07001A1	CVRR0002K	BLWS0013K	PMPR0005K	PACHT700K	CSTR0008K	CTRL0006K
PACA12001A1	CVRR0003K	MTRR0039K	PMPR0012K	PACHT1200K	CSTS0001K	CTRL0007K
PACA20001A1	CVRR0004K	MTRR0041K	PMPR0012K	PACHT2000K	CSTS0001K	CTRL0007K
PACA40001A1	CVRR0005K	MTRR0042K	PMPR0012K	PACHT4000K	CSTS0001K	CTRL0007K
PACA65001A1	CVRR0006K	MTRR0043K	PMPR0012K	PACHT6500K	CSTS0003K	CTRL0007K

ACCESSORIES

ROUGH TERRAIN CASTER KIT

CSTS0002K (Set of 4)

- 8" wheels
- Built for easy movement on rough terrain
- Compatible with Apex 1200, 2000, 4000, 6500 and Hazardous Location 260, 270



PORTACOOL HARD WATER TREATMENT

PARPACHWTB00 (Pack of 4)

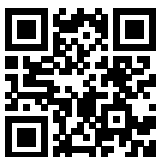
- Removes and inhibits scale build up
- Increases cooling efficiency
- Reduces equipment corrosion
- Extends evaporative media life



COVERS

All cover part numbers listed above

- Available in black only
- Constructed for longevity - made of durable, high-quality vinyl
- Protection - keep Portacool products clean and dust-free



Don't see what you are looking for?
More Portacool parts and accessories are available online at

WWW.PORTACOO.COM

or through your local distributor or retail location

APEX SERIES

MODEL NUMBER



COOLING AREA (Sq. Ft.)

SQUARE FEET COOLING AREA IMAGERY RELATIVE TO INFO FOR COOLING AREA ONLY.

APEX 500 AND 700

SPOT COOLING

- Space Optimization
- Digital Louver Control

APEX 1200, 2000, 4000, AND 6500

MEDIUM AREA COOLING

- Extended Cooling Reach
- Whisper Quiet Performance

LARGE AREA COOLING

- Simplify Your Space
- Efficient Media Absorbance



MODEL NUMBER	PACA05001A1	PACA07001A1	PACA12001A1	PACA20001A1	PACA40001A1	PACA65001A1
OPTIMAL COOLING (Sq. Ft.)	UP TO 500	UP TO 700	UP TO 1200	UP TO 2000	UP TO 4000	UP TO 6500
VELOCITY (Mph)	40	37	25	28	25	24
AIR FLOW REACH (Ft.)	55	60	40	60	50	40
NOISE (dB)	53	53	51	58	62	68
WATER RESERVOIR (Gallons)	13	22	40	45	55	66
PRODUCT WEIGHT (Without Water)	70	88	134	191	220	290
AIRFLOW (CFM'S)	800	1400	4000	6700	13250	22000
AMP'S	2.4	4.0	5.0	8.0	9.0	14.7
DIMENSIONS (In.)	(HEIGHT) 46 (DEPTH) 19.5 (WIDTH) 22	(HEIGHT) 52 (DEPTH) 24 (WIDTH) 27	(HEIGHT) 58 (DEPTH) 26 (WIDTH) 42	(HEIGHT) 68 (DEPTH) 30 (WIDTH) 54	(HEIGHT) 77 (DEPTH) 33 (WIDTH) 63	(HEIGHT) 90 (DEPTH) 39 (WIDTH) 78

PORTACOOOL[®]

APPLICATIONS

- Petrochemical refineries
- Offshore and onshore oil/gas
- Chemical production
- Fuel depots
- Fertilizer plants



**ETL HAZARDOUS LOCATION, CLASS 1, DIVISION 2, GROUP C & D CERTIFIED*

HAZARDOUS SERIES

	HAZARDOUS 260	HAZARDOUS 270
AIR DELIVERY (CFM'S)	12,500	22,500
VELOCITY (Mph)	18	20
AMP'S	15.5	19.8
SPEEDS	One	One
FAN BLADE SIZE (In.)	36	48
COOLING CAPACITY (Sq. Ft.)	3,125	5,625
WATER RESERVOIR (Gallons)	45	65
DIMENSIONS (In.)	78H x 63W x 29D	90H x 77W x 35D
WEIGHT (Lbs.)	302	357
DECIBEL LEVEL (dB)	73	75
STOCK NUMBER	PACHZ260	PACHZ270
NATIONAL STOCK NUMBER	4120014333409	4120014973032

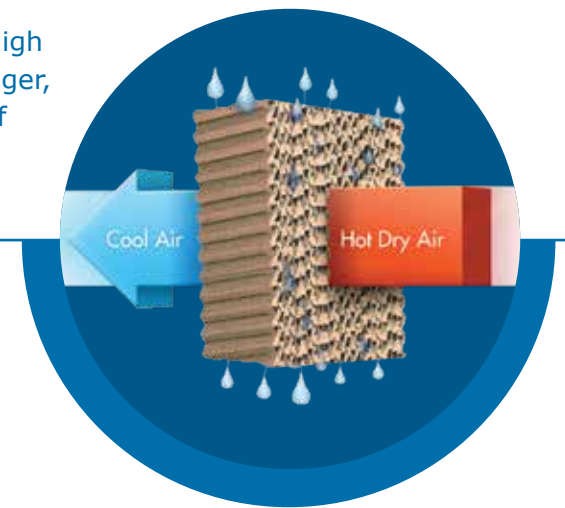
PORTACOOOL EVAPORATIVE MEDIA

What is evaporative media?

Evaporative media is the technology at the center of evaporative cooling. This is what allows water to interact with the air. As air and water meet in the media, evaporation occurs.

- Portacool evaporative media is designed and made exclusively to meet the exact performance requirements of Portacool portable evaporative coolers.
- Our media features an exclusive mix of superior raw materials and a proprietary application of geometrical, intelligent design to create the optimal cooling experience.
- Portacool evaporative media is the driving force behind our superior cooling performance.

For portable evaporative coolers at high air flow velocity, Portacool evaporative media meets efficiency standards and exceeds pressure drop requirements. Not only does Portacool evaporative media last longer, but ensures the portable cooler remains operational at high efficiency for on demand cooling when it is needed most. Effective, clean cooling, stronger, and longer lasting evaporative media with low pressure drop for the lowest total cost of ownership.



OSHA HEAT STRESS COMPLIANCE

Why should cooling matter to you?

Recently OSHA has enacted HIPP (Heat Illness Prevention Program) –a safety and health program consisting of seven core elements.

1. Management Leadership
2. Worker Participation
3. Hazard Identification
4. Assessment
5. Education and Training
6. Program Evaluation
7. Improvement

Under HIPP, employers MUST

- A. Provide “Fresh, Pure, and Suitably Cool” water free of charge.
- B. Allow employees to take a 10-minute cool down rest period WHENEVER they feel heat stress.
- C. Have Emergency Response Procedures.

If you live in a state that does not have HIPP you simply cannot ignore heat safety. Businesses in all states can be fined for heat stress non-compliance through I2P2 or IIPP (Injury Illness and Prevention Program).

MANY STATES HAVE BOTH IIPP AND HIPP. ARE YOU COMPLIANT?

IN CALIFORNIA, THE INITIAL PENALTY FOR BUSINESSES FOUND TO BE OUT OF COMPLIANCE WAS BETWEEN \$7,000 AND \$12,000. FAILURE TO ABATE OR FIX THE ISSUE RESULTS IN A \$15,000 PER DAY FINE.

FREQUENTLY ASKED QUESTIONS



How do I maintain my Portacool evaporative cooler?

To keep your Portacool evaporative cooler running smoothly for many years, we recommend daily and weekly maintenance. Each day you run the cooler, the pump should be turned off approximately 15 minutes before the fan is shut off to allow the media to dry completely. Weekly, we recommend shutting down the cooler, disconnecting from the power source, and draining the water tank. Once the tank is empty, the evaporative media can be removed to clean the tank and inside the cooler.

Can the fan and pump operate separately?

Yes, the fan and pump motors are separate systems. You can run one without the other with no damage to the product. That said, you will not receive the same degree of cooling by only running the fan. For evaporative cooling to occur, water must be running over the evaporative media.

What happens if my Apex evaporative cooler runs out of water?

All Portacool evaporative coolers come with automatic low water shut-off. When the evaporative cooler is out of water, a red light will illuminate on the control panel and the pump will shut off.

Will I need a special plug for my Portacool evaporative cooler?

All Portacool evaporative coolers require a standard 120v electrical outlet. Portacool Hazardous Location 270 & 260 must be hard-wired by a certified electrician.

What is the warranty on my Portacool evaporative cooler?

All Portacool evaporative coolers come with Portacool Protect™. See your products' Owner's Manual for exact warranty information. Visit <https://portacool.com/warranty/>.

Do evaporative coolers work in humid environments?

While evaporative coolers achieve significant temperature drops in more arid climates and drier spaces, they can provide relief from the heat in any climate due to the advancements in evaporative cooling technology. Even in hot and humid areas, you can still expect to receive cool, comfortable air.

How much moisture will an evaporative cooler add to the environment?

Multiple factors can affect exactly how much humidity and moisture evaporative cooling contributes to an environment. An increase in humidity of approximately 2%-5% is produced depending on the temperature and humidity of the environment. This increase is not noticeable in a ventilated area where the air produced by the cooler is exhausted. When properly ventilated, an evaporative cooler will not cause condensation or rust.

Can I use the cooler outside?

Evaporative coolers are designed to work best in areas not easily cooled by traditional air conditioning, so outside is an excellent environment!

Do I need a constant hose connection?

All Portacool products come with both a fill tank and hose connector. This gives you the option to keep a hose connected or manually fill the tank. Along with these features, Portacool products also come equipped with automatic low water shut-off. When the evaporative cooler is out of water, a red light will illuminate on the control panel and the pump will shut off.

What can I expect in a temperature difference?

Portacool evaporative coolers CAN drop the air temperature up to 30°F when the air is very dry and where relative humidity can be 30% or less. Even in humid climates our products can still easily produce a significant temperature change.

How long will my evaporative media last?

Depending on the quality of maintenance and water, evaporative media typically lasts 5 years or more.

Will I get wet? Does the product mist?

Portacool evaporative coolers are not misting fans so there should be no water coming out of the product. The products do use water, but the process of evaporation produces cooler air without a mist so you won't get wet. A small amount of humidity is added to the air, but with proper ventilation, it is not noticeable and will not cause rust formation on equipment.

**MADE IN
USA** 
WITH DOMESTIC AND GLOBAL PARTS



PORTACOOOL®

800-695-2942 | www.portacool.com

