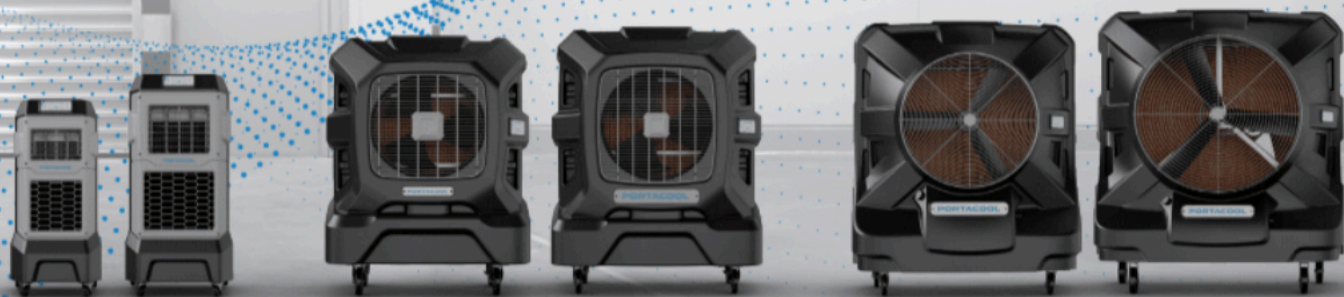


PORTACOOOL[®]

APEX SERIES

PACA05001A1
PACA07001A1
PACA12001A1
PACA20001A1
PACA40001A1
PACA65001A1



OWNER'S MANUAL

CONTENTS

ENGLISH

Safety
Introduction
Overview
Quick Start
Display Functions
LED Status Icons
Alert Codes
Portacool® App
Maintenance
Troubleshooting
Warranty

ESPAÑOL







2 Seguridad
5 Introducción
7 Generalidades
11 Inicio rápido
12 Funciones de las pantallas
16 Iconos de estado LED
20 Códigos de alerta
25 Aplicación Portacool®
26 Mantenimiento
28 Resolución de problemas
32 Garantía

FRANÇAIS

35 Sécurité
38 Introduction
40 Vue d'ensemble
44 Guide de démarrage
45 Fonctions de l'affichage
49 Icônes d'état des LED
53 Codes d'alerte
58 Appli Portacool®
59 Maintenance
61 Dépannage
66 Garantie

69
72
74
78
79
80
88
93
94
96
101

SAFETY

 WARNING: Consult Owner's Manual. Service by trained personnel recommended. 			
 <p>Rotating fan blades Can cause serious injury or cut. Keep hands clear. Turn off product before servicing.</p>	 <p>Hazardous voltage inside Disconnect power before servicing. GFCI device required.</p>	 <p>Some components flammable Keep flames and heat away.</p>	 <p>Do not run pump without water in product Can cause damage to components.</p> <p><small>18R0048</small></p>

WARNING: To reduce the risk of fire, electric shock or injury to persons, do not use replacement parts that have not been recommended by the manufacturer (e.g. parts made at home using a 3D printer).

OPERATION WARNINGS

1. Not for use by children. Children must be supervised so that they do not play with the device.
2. Not for use by persons with reduced physical, sensory or mental capabilities
3. Not for use by persons who have not read the evaporative cooler's instructions, owner's manual and labels thoroughly before use

SAFE OPERATION

To reduce the risk of electric shock, fire, or injury:

- Do not operate any evaporative cooler with a damaged cord or plug. If the power cord is damaged, it must be replaced by the manufacturer, its authorized service agent, or qualified personnel in order to avoid a hazard.
- Do not run power cord under carpeting or cover with throw rugs, runners or similar coverings. Arrange power cord away from traffic areas to avoid tripping hazards. Before using the evaporative cooler, carefully review the manual and label to understand its features and functions fully.

PORTACOOOL.

- Remember to unplug the evaporative cooler before servicing.
- Do not plug in the evaporative cooler unless all parts and media are securely in place.
- If you have a special safety outlet (GFCI), it's important to test it once a month to ensure it's working correctly. This is a quick check to keep you safe.
- Always pull on the plug, not the cord, when unplugging the evaporative cooler. This prevents damage to the cord over time.
- Keep your evaporative cooler away from anything that has open flames or may cause sparks.
- When cleaning your evaporative cooler, make sure the unit is off and unplugged.
- Do Not Use This Fan with Any Solid-State Speed Control Device.
- Do not use an extension cord with this product if used outdoors.
- If used indoors, extension cords are okay to use but not recommended. If you must use one, ensure it meets the cord requirements.
 - Use properly grounded 14 AWG or greater for APEX 500 through APEX 4000
 - Use properly grounded 12 AWG or greater for APEX 6500
 - Extension cord must not exceed 50 feet (15.24 meters) in length
 - Extension cord must be properly grounded
- Be careful when moving your evaporative cooler with a full tank of water; only transport it on all four caster wheels, and do not tilt the evaporative cooler forward or backward.

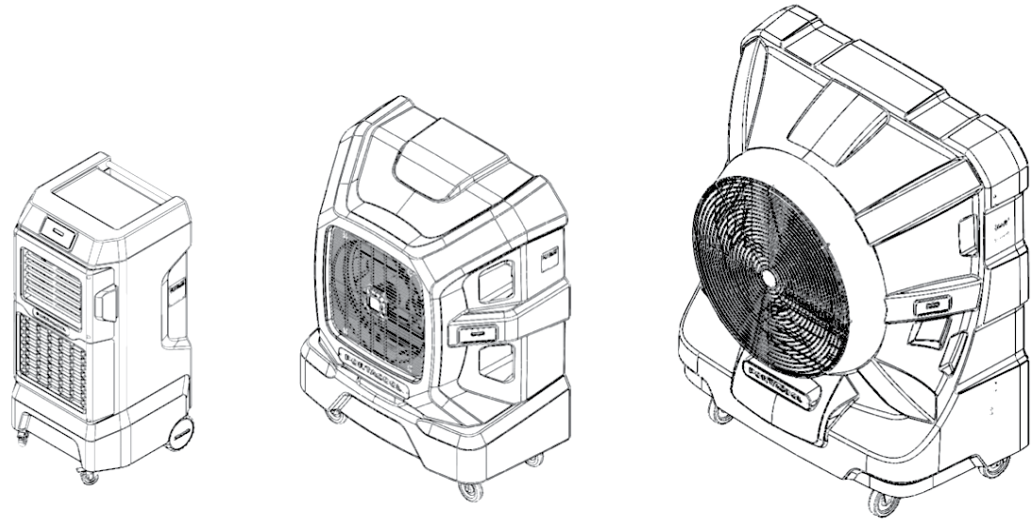
SAFETY

- Evaporative coolers should not be modified in any way (other than repairs made by qualified individuals with Portacool replacement parts).
- If the evaporative cooler is damaged or malfunctions, do not continue to operate it. Refer to this owner's manual's warranty, troubleshooting, or FAQ sections and call Portacool, LLC. Customer Care at (936) 598-5651 or (800) 695-2942, or email support@portacool.com.

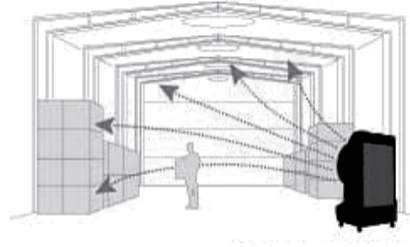
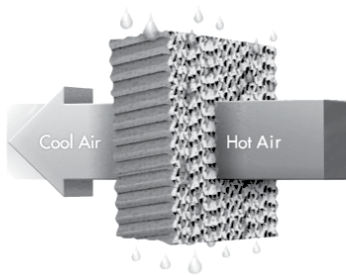
INTRODUCTION

CONGRATULATIONS!

On your new Portacool Apex™ series evaporative cooler purchase! Get ready to take your cooling experience to new heights. Here are some valuable tips for you to ensure an unparalleled cooling journey.



INTRODUCTION







Evaporative coolers are not air conditioners. The key difference is that they cool the air naturally and efficiently by adding humidity to the air stream. Water will circulate over the evaporative cooling media. As the fan pulls air through, the water evaporates, unleashing incredible cooling power!

It is important to position the cooler in a well-ventilated area with plenty of access to outside air for optimal cooling performance. Suppose you are cooling a shop or a semi-enclosed area. In that case, we recommend placing the back of the cooler to allow warm outside air to pull through the cooler while a constant source of cool fresh air is pushed into the space. For the proper amount of airflow, be sure to leave a door or window open.

Don't forget to take the power of evaporative cooling with you! Evaporative cooling can transform many spaces, such as patios, sports fields, garages, campsites, and outdoor events.

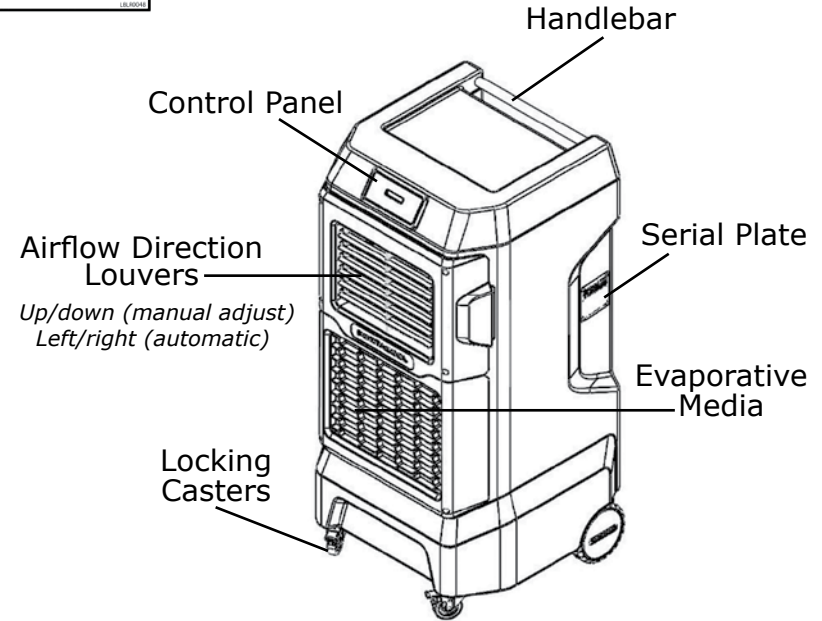
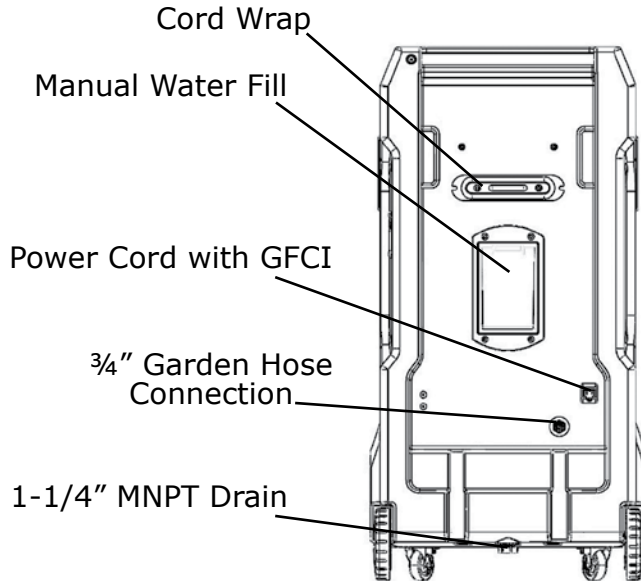
OVERVIEW

⚠ WARNING: Consult Owner's Manual. Service by trained personnel recommended. ⚠

 <p>Rotating fan blades Can cause serious injury or cut. Keep hands clear. Turn off product before servicing.</p>	 <p>Hazardous voltage inside Disconnect power before servicing. GFCI device required.</p>	 <p>Some components flammable Keep flames and heat away.</p>	 <p>Do not run pump without water in product Can cause damage to components.</p>
--	---	--	--





13LW004

Models:
PACA05001A1
PACA07001A1

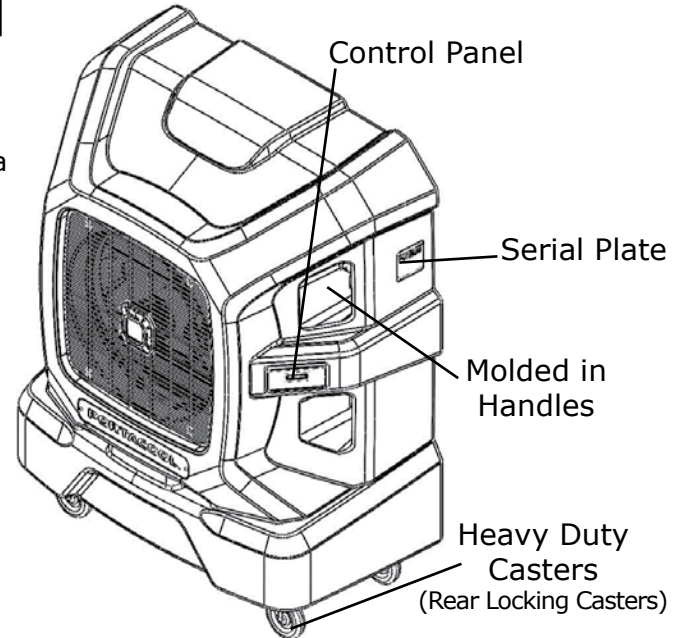
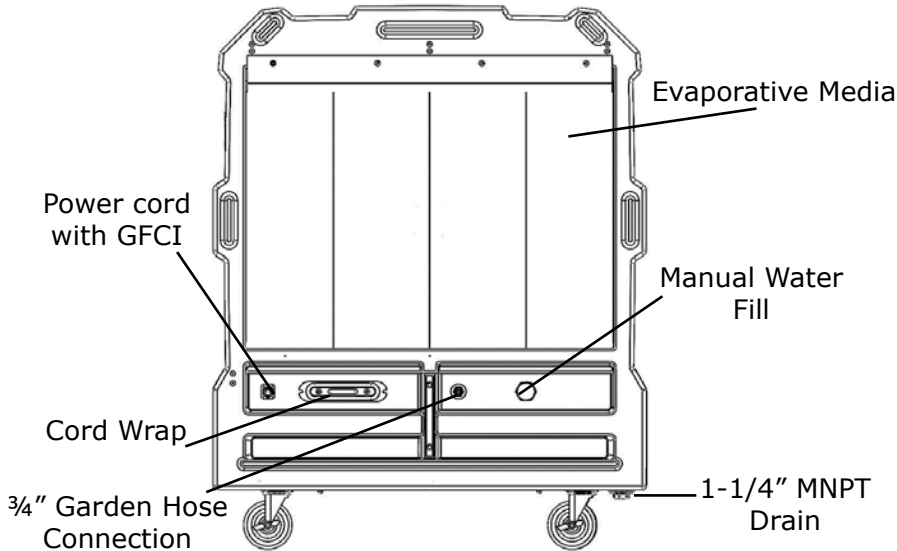


OVERVIEW

⚠ WARNING: Consult Owner's Manual. Service by trained personnel recommended. ⚠





 <p>Rotating fan blades Can cause serious injury or cut. Keep hands clear. Turn off product before servicing.</p>	 <p>Hazardous voltage inside Disconnect power before servicing. GFCI device required.</p>	 <p>Some components flammable Keep flames and heat away.</p>	 <p>Do not run pump without water in product Can cause damage to components.</p>
--	---	--	--

Models:
PACA12001A1
PACA20001A1



OVERVIEW

⚠ WARNING: Consult Owner's Manual. Service by trained personnel recommended. ⚠

 <p>Rotating fan blades Can cause serious injury or cut. Keep hands clear. Turn off product before servicing.</p>	 <p>Hazardous voltage inside Disconnect power before servicing. GFCI device required.</p>	 <p>Some components flammable Keep flames and heat away.</p>	 <p>Do not run pump without water in product Can cause damage to components.</p>
--	---	--	--

Models:
PACA40001A1
PACA65001A1

Evaporative Media

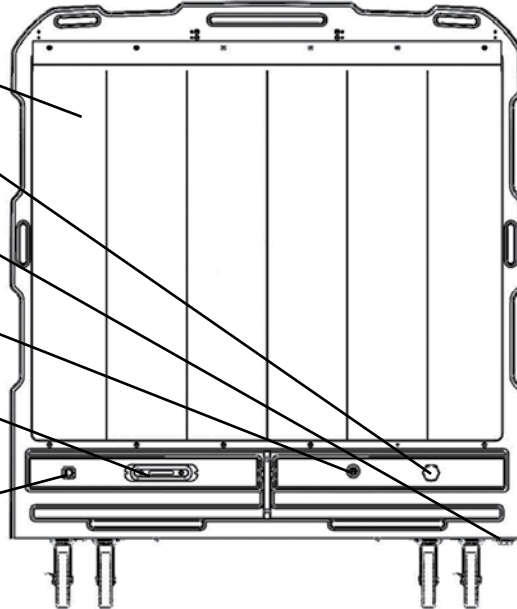
Manual Water Fill

1-1/4" MNPT Drain

3/4" Garden Hose Connection

Cord Wrap

Power Cord with GFCI

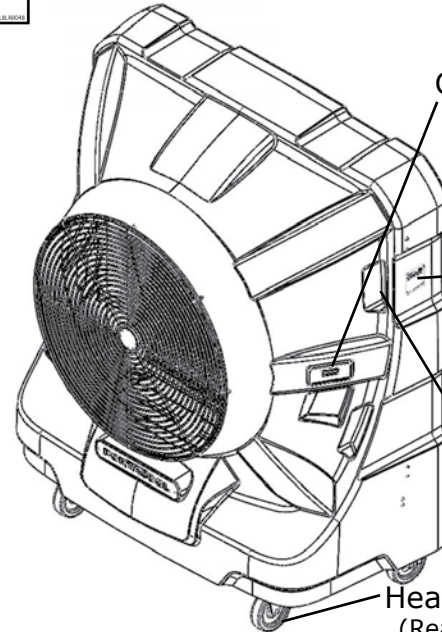


Control Panel

Serial Plate

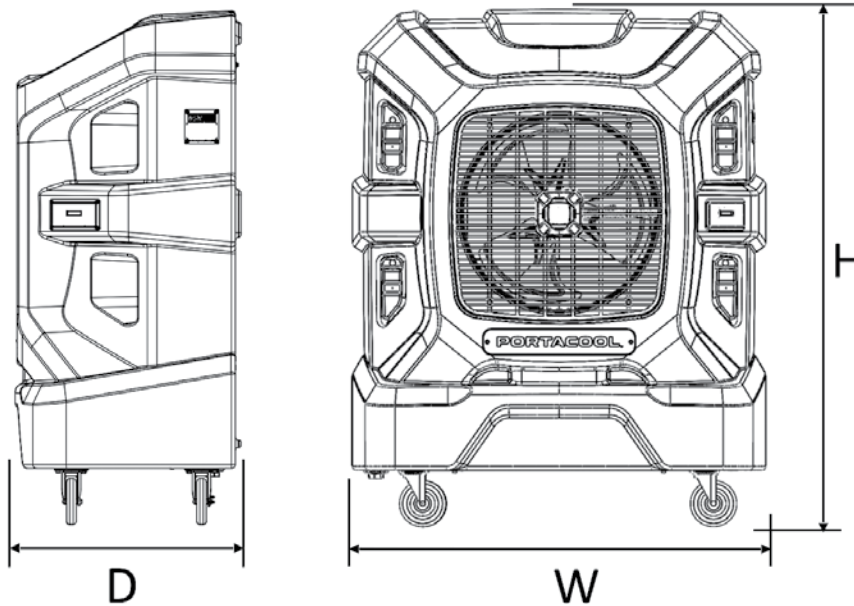
Molded in Handles

Heavy Duty Casters
(Rear Locking Casters)



OVERVIEW

Note: Product data is an estimation and may be updated without prior notification.



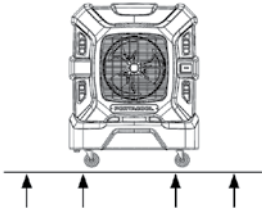
Model	Height (H)	Width (W)	Depth (D)
PACA05001A1	46"	22"	19.5"
PACA07001A1	52"	27"	24"
PACA12001A1	58"	42"	26"
PACA20001A1	68"	54"	30"
PACA40001A1	77"	63"	33"
PACA65001A1	90"	78"	39"

For more product information, visit our website, www.portacool.com, or scan the QR code:



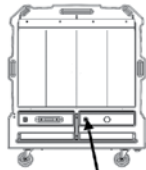
QUICK START

1. Position



Position the cooler on a level surface while in use. Lock the caster wheels.

2. Fill with Water



Fill the tank or attach a water hose. We recommend using the hose attachment with an automatic shut-off valve.

3. Plug In



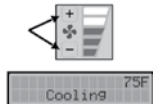
Be sure to plug it into an appropriate outlet. A dedicated 15A or 20A circuit is recommended. Avoid the use of extension cords for best performance.

4. Press the power button



Pressing the power button on the cooler will begin a pre-soak function for the media. During this pre-soak, the fan will run at low speed (the LCD screen will display a countdown timer).

5. Adjust Fan to Desired Speed



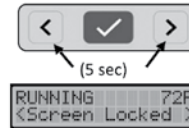
After each Pre-soak stage, the fan will return to its previous speed setting. Use the speed buttons to increase or decrease the fan speed if desired. Outlet air temperature will show in the upper right corner of the screen.

6. Shut Down



To shut down, press the power button once. If necessary, the fan will remain ON to dry the media, then automatically turn off and return to Standby mode when complete (the LCD screen will display a countdown timer).

7. Lock Screen Feature

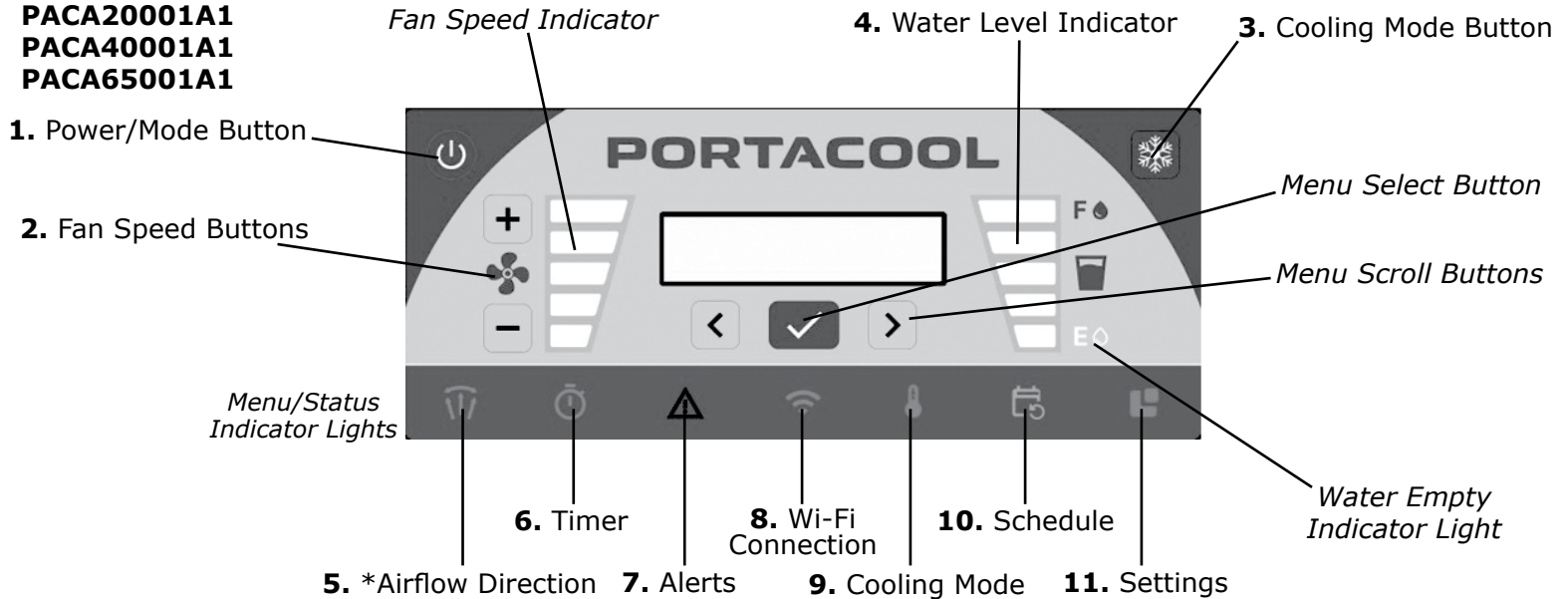


To lock the display screen, press both menu arrow buttons simultaneously for 5 seconds. To unlock, repeat the button and hold for 5 seconds.

DISPLAY FUNCTIONS

Models:

PACA05001A1
PACA07001A1
PACA12001A1
PACA20001A1
PACA40001A1
PACA65001A1



***FEATURE ONLY ENABLED ON MODELS WITH AIR LOUVERS: PACA05001A1, PACA07001A1**

PORTACOOL

DISPLAY FUNCTIONS

Important: Connect your cooler to the Portacool® App and install the latest updates to unlock and enjoy all features!

1. Power/Mode Button

Press this button to start up and shut down your evaporative cooler.

- After the cooler is plugged in, the control will automatically go into Standby mode.
- To turn on the evaporative cooler, press the power/mode button. The cooler will start circulating water to pre-soak the media for optimal cooling. The fan will run at low speed during the pre-soak process until the cycle is complete. Once the pre-soak cycle is done, the fan and cooling modes will automatically return to their previous settings.
Note: Pressing the fan speed buttons will exit the evaporative cooler from Pre-Soak mode.
- Press the power/mode button once to shut down your

evaporative cooler. If the media is wet, the cooler will automatically dry it, and the shutdown timer will begin. Once the timer is complete, the cooler will return to Standby mode. If the water system is not running, the cooler will go directly to Standby mode without following the drying process.

Note: To bypass the automatic media drying, press the power/mode button again to go directly to standby mode.

- Press and hold the power/mode button for 3 seconds to turn off the evaporative cooler and control panel. Once turned off, the LED will also turn off.
Note: When in Off mode, the cooler cannot be directly controlled from the app and will not run previously configured schedules until it is returned to standby.

2. Fan Speed Buttons

Press the +/- buttons to increase or decrease the fan's speed.

- There are five fan speeds, and the blue light bars indicate the current speed setting. **Note:** Pressing the fan speeds while the cooler is in Standby will put the cooler into Fan Only mode.

3. Cooling Mode Button

Press to manually turn the water system on and off or to change the Cooling mode.

- Pressing the cooling button once will turn on cooling to the previous mode. Use the < > arrows in the menu to change the mode on the LCD screen if desired. **Note:** it is unnecessary to toggle the Cooling mode button once it's set to your preference.

DISPLAY FUNCTIONS

- Pressing the Cooling mode button while the cooler is in Standby mode will transition the cooler into Pre-Soak mode.
- **There are three cooling modes:**
 - Max cooling (recommended) – The cooler automatically optimizes the water flow rate to deliver maximum cooling and temperature drop based on surrounding air conditions.
 - Eco – Use this mode if you are in a very hot/dry climate and are willing to sacrifice a little cooling to consume less water. Water flow rate and consumption will be reduced.
 - Manual – *Only available on the Apex 1200, Apex 2000, Apex 4000 and Apex 6500.* This mode allows for precise water flow rate control to dial in your preferred cooling experience. Settings 1-5 correspond to water flow rate from

low to high. It is recommended for experienced users only.

4. Water Level Indicator

These LED indicators display the reservoir's water level and give warnings when the level is low.

All five indicator bars will be blue when the reservoir is full. As the water level drops and it's time to refill, the bottom bar will illuminate yellow. However, the system will continue to cool. When the water level goes below the minimum operating level for the pump, the water empty indicator light will illuminate red, and the power supply to the pump will be shut off. Refilling the reservoir will allow the cooler to continue normal operation.

5. Airflow Direction

This feature allows for automatic air direction control to customize your

*cooling experience. **Note:** Apex 500 and Apex 700 models only.*

- Navigate to 'Airflow' on the LCD screen menu and use the < > buttons to choose from one of 3 Airflow direction modes:
 - *Sweep* – The vertical louvers will oscillate left to right to provide a sweeping range of airflow. The blue Airflow direction light will remain illuminated in sweep mode.
 - *Narrow* – The airflow is channeled towards the center for maximum velocity and reach.
 - *Wide* – The louvers move outwards to diffuse the air, providing a wider coverage area of steady flow.

Note: *You can customize your cooling experience with precise louver control by using the Portacool App!*

DISPLAY FUNCTIONS

6. Timer

Allows you to set an automatic run-time duration.

- To set a timer, navigate to the 'Timer' option on the LCD screen menu. Then, use the < > buttons to choose the desired duration for the timer. After the timer is complete, the cooler will automatically dry the media if it is wet and return to Standby mode.

7. Alerts

This feature notifies you of potential issues with operating your Apex™ evaporative cooler.

Navigate to 'Alerts' on the LCD screen menu and use the < > buttons to view any active alert codes. See the "Alert Codes" section of this manual for more details. The Alert icon will illuminate yellow for warnings and red for critical alerts.

8. Wifi and Connectivity

This feature allows you to connect your cooler to the Portacool App. Once connected use the WiFi menu to view the network name and signal strength.

Navigate to 'WiFi' on the LCD screen menu and use the < > buttons to navigate the sections.

- WiFi On/Off: Toggle the WiFi on and off.
- New Connection: Add the cooler to the Portacool App. Select New Connection and follow in-app instructions.

9. Schedules

This feature allows you to set a schedule for your cooler(s).

Schedules can only be set via the Portacool App. Follow in-app instructions to connect the cooler to the app. When a schedule is set the

schedule icon will illuminate.

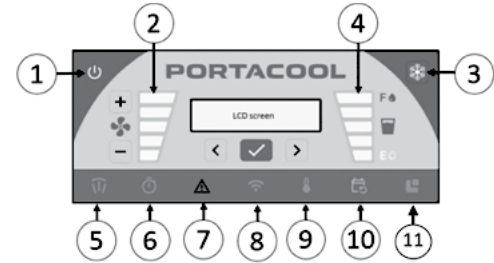
10. Settings

This settings menu provides additional settings for your cooler.

- Timer: View the timer section of this manual.
- Pre-Soak Time: Change the Pre-soak time for your cooler in 1-minute increments.
- Temp Format: Change the outlet temperature display from F to C.
- Buzzer: Turn the buzzer on or off
- Cooler Info: View cooler VER, CFG, and WIFI versions (these may be needed by customer service)
- Factory Reset: Return the cooler to factory settings. **Note:** *This will disconnect the cooler from the Wifi network.*

LED STATUS ICONS

The following table gives a summary of the LED light status indicators for the control



#	Button/Icon	Color	LED Status	Cooler status
1.	Power/Mode Button	Yellow	ON (Solid)	Cooler is currently in Standby
			Blinking	Cooler is currently Drying Media
			OFF	Cooler is currently OFF
2.	Fan Speed Buttons	Green	ON (Solid)	Cooler is currently Running
		Blue	Blinking	Cooler is currently Pre-Soaking Media
			OFF	OFF

LED STATUS ICONS

#	Button/Icon	Color	LED Status	Cooler status
3.	Cooling Mode Button	Blue	ON (Solid)	Max Cooling Mode or Manual Mode Enabled
			Blinking	Max Cooling Mode or Manual Mode is enabled, and cooler is pre-soaking media.
		Green	ON (Solid)	ECO Mode is Enabled
			Blinking	ECO mode is enabled, and cooler is pre-soaking media.
		OFF	OFF	Cooling mode is OFF
		4.	Water Level Indicator	Blue
Yellow	ON (Solid)			
Red	ON (Solid)			Water reservoir is empty or below the minimum level required for pump operation (cooling mode).
	Blinking			Cooling mode is enabled but the water level is below the minimum, so the pump is disabled. Refill to resume normal operation.

LED STATUS ICONS





#	Button/Icon	Color	LED Status	Cooler status
5.	Airflow Direction (APEX 500/700)	Blue	OFF	Airflow Direction is set to narrow or wide mode
			ON (Solid)	Airflow Direction is set to sweep mode
			Blinking	Airflow Direction menu is selected
6.	Timer	Blue	OFF	No timer is active
			ON (Solid)	Timer is on and there is a countdown timer
			Blinking	Timer menu is selected
7.	Alerts	Yellow	ON (Solid)	There is one or more warning messages active
			Blinking	Alerts menu is selected
		Red	There is one or more critical alerts active	
8.	Wi-Fi Connection	Blue	ON (Solid)	Cooler is currently connected to the Portacool® App
			Blinking (slow)	Cooler is attempting to connect to the Wi-Fi network
			Blinking (fast)	Wi-Fi menu is selected

LED STATUS ICONS

#	Button/Icon	Color	LED Status	Cooler status
8.	Wi-Fi Connection <i>Cont.</i>	Yellow	Blinking	Cooler is connected to the Wi-Fi network but can't reach the CoolSync™ Cloud
		OFF	OFF	Wi-Fi is disabled
9.	Cooling Mode	Blue	Blinking	Settings menu is selected
10.	Schedule	Blue	ON (Solid)	Cooler is operating on a schedule set with the Portacool® App
		Blue	Blinking	Schedule menu is selected
		Yellow	ON (Solid)	There is an active schedule programmed with the Portacool® App
		OFF	OFF	No schedule is programmed
11.	Settings	Blue	Blinking	Settings menu is selected

ALERT CODES

⚠ WARNING: Consult Owner's Manual. Service by trained personnel recommended. ⚠

 <p>Rotating fan blades Can cause serious injury or cut. Keep hands clear. Turn off product before servicing.</p>	 <p>Hazardous voltage inside Disconnect power before servicing. GFCI device required.</p>	 <p>Some components flammable Keep flames and heat away.</p>	 <p>Do not run pump without water in product Can cause damage to components.</p>
---	---	--	--

Alert Code	Alert Text	Description	Possible Causes & Remedies
1.1	FAN ERR	The fan does not appear to be running as intended	<ol style="list-style-type: none"> 1. Check if the fan is running and providing expected airflow, if operation appears normal then disregard the error. If issues are present, disconnect power and proceed to step 2. 2. Check for broken or pinched wires or connectors. If wires are damaged do not attempt to repair, instead replace the fan motor. 3. Check the fan connector attachment to the control module to ensure the fit is snug. Unplug and clean out terminals if necessary. Plug in and recheck fan operation. If the fan still does not operate, replace the motor.
1.2	FAN ERR	The load on the fan is higher than expected	<ol style="list-style-type: none"> 1. Check for fouling of the evaporative media (debris, scale, blockages). Clean or replace media if necessary.

ALERT CODES

Alert Code	Alert Text	Description	Possible Causes & Remedies
1.2 <i>Cont.</i>	FAN ERR	The load on the fan is higher than expected	<ol style="list-style-type: none"> 2. If an extension cord is being used, make sure it meets the size and length requirements in the Safety section of this manual. Remove/replace if necessary. 3. Have a certified electrician inspect the wall outlet circuit.
2.1	PUMP ERR	The pump does not appear to be running as intended	<ol style="list-style-type: none"> 1. Turn cooling mode to Max Cooling and listen for water circulation and look for proper media wetting. If water is not circulating, disconnect power and proceed to step 2. 2. Check for broken or pinched wires or connectors. If wires are damaged do not attempt to repair, instead replace the pump. 3. Check the pump connector attachment to the control module to ensure the fit is snug. Unplug and clean out terminals if necessary. Plug in and recheck pump operation. Replace the pump if necessary.
2.2	PUMP ERR	The load on the pump is higher than expected	<ol style="list-style-type: none"> 1. If an extension cord is being used, make sure it meets the size and length requirements in the Safety section of This manual. Remove/replace if necessary. 2. Check if the pump inlet is clogged. Clean if needed.

ALERT CODES

Alert Code	Alert Text	Description	Possible Causes & Remedies
2.2 cont.	PUMP ERR	The load on the pump is higher than expected	<ol style="list-style-type: none">3. Have a certified electrician inspect the wall outlet circuit.4. Replace pump if necessary.
3.1	L LVR ERR	Left side air louver error	<ol style="list-style-type: none">1. Select "Sweep" mode in the airflow menu and check for proper function. Both louvers should sweep back and forth in unison.2. Check for any blockages to louver motion (dirt, debris, etc.). Remove and clean.3. Replace the louver shroud assembly if necessary.
3.2	R LVR ERR	Right side air louver error	<ol style="list-style-type: none">1. Select "Sweep" mode in the airflow menu and check for proper function. Both louvers should sweep back and forth in unison.2. Check for any blockages to louver motion (dirt, debris, etc.). Remove and clean.3. Replace the louver shroud assembly if necessary.

NOTE: If you continue to see alert codes, visit Portacool.com for help or contact the customer care team.

ALERT CODES

Alert Code	Alert Text	Description	Possible Causes & Remedies
4.2	WATER LOW	The water level is getting very low.	Refill the water reservoir soon.
4.3	NO WATER	The water level is too low to continue cooling.	Refill the water reservoir to continue normal operation.
4.4	OVER FILL	The water level appears to be too high.	<ol style="list-style-type: none">1. Shut off the water supply.2. Make sure the float shutoff valve is aligned vertically. Adjust if needed.3. Turn on the water supply and check for leaks when the float is in the top (off) position. Replace if necessary.
5.5	LOW TEMP	Ambient conditions around the cooler appear too low for operation.	The ambient temperature where the cooler is located is too low for operation. Consider moving the cooler to a different location. If the error persists in a warmer location, then contact customer care.
5.7	EXIT T ERR	The Exit Temperature Sensor is not functioning correctly.	The exit air temperature sensor is located in the wiring harness of the water level sensor. <ol style="list-style-type: none">1. Disconnect power and check the water level sensor connector. Clean and reconnect.2. Replace water level sensor if necessary.

ALERT CODES

Alert Code	Alert Text	Description	Possible Causes & Remedies
6.1	LOW VOLT	The input voltage is too low for the cooler to operate as intended.	<ol style="list-style-type: none">1. If an extension cord is being used, make sure it meets the size and length requirements in the Safety section of this manual. Remove/replace if necessary.2. Have a certified electrician inspect the wall outlet circuit.
6.2	HIGH VOLT	The input voltage exceeds the operating range of this cooler.	Have a certified electrician inspect the wall outlet

Visit our product support page for the most up-to-date manual, alert codes, and instructional videos!

Order parts online at www.portacool.com/shop



PORTACOOOL® APPLICATION

Portacool® Application

The Portacool® app seamlessly connects your smartphone to the Apex series of evaporative coolers. Once your cooler is configured on a Wi-Fi network and linked to the CoolSync™ Technology Cloud, you can remotely operate it through the app, regardless of location. Plus, the app offers some features, such as:

- Remote control and monitoring of your evaporative cooler with push notifications.
- The ability to manage multiple Portacool Apex™ evaporative coolers in a group.
- Convenient scheduling options.
- Keep an eye on your cooler's water level.
- Quick access to product manuals and support information.

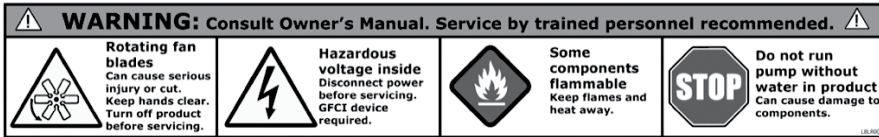
How to Get the Portacool® App

1. Go to your smartphone's app store (Apple App Store for iPhone or Google Play Store for Android)
2. Search for "Portacool" and download the Portacool mobile app.
3. Once it is downloaded, open the app.
4. Sign in if you already have an account or create a new account if you do not.
5. Follow the simple on-screen instructions to add your new cooler to your account.



Download the
Portacool App

MAINTENANCE



Important Reminder: Safety First!

Before you start maintenance on your Apex evaporative cooler, disconnect the power by unplugging the cord from the outlet. Always perform maintenance in a safe area.

Regular Maintenance

1. **Drain the Reservoir Weekly:** To ensure your cooler works efficiently, drain the water reservoir at least once weekly. This will help minimize any order due to stagnant water. Remove the drain cap and let all the water drain out. Check inside the reservoir for any dirt, debris, or scale build-up, and clean it as needed. When replacing the drain cap, ensure its hand-tightened but not overly tightened.
2. **Clean the Evaporative Media:** To maintain optimal performance, periodically clean the evaporative media to remove dirt, debris, or scale build-up. Use clean water from a hose (a spray nozzle) and a soft bristle brush to clean the outer edges of the media. For more detailed cleaning instructions, refer to our online product support page.
3. **Address Hard Water Issues:** If your water quality is less than ideal due to hard water, you can purchase Portacool Hard Water Treatment™ at www.portacool.com/shop or from an authorized distributor. This treatment changes the ionic structure of minerals in your water, keeping them off the media. It enhances cooling efficiency, prevents scale build-up, reduces equipment corrosion, and prolongs the life of the evaporative media.

Proper Storage

1. **Drain and Clean:** Before storing your cooler, drain all the water from the tank and wipe it clean. Make sure both the evaporative media and the tank are dry.
2. **Secure the Power Cord:** Roll up the power cord and attach it to the cord wrap, preventing tripping hazards or damage to the cord.
3. **Cover and Store:** To prevent dust build-up and protect your cooler, cover it completely. Store it in a dry area. Optional protective covers are available from your distributor or at www.portacool.com/shop.

Following these simple steps will keep your Apex evaporative cooler running smoothly and prolong its lifespan. If you require further assistance or have questions, please refer to our online support resources or contact our customer care team.

Visit our product support page for the most up-to-date manual, alert codes, and instructional videos!

Order parts online at www.portacool.com/shop



TROUBLESHOOTING

Before fixing any issues with your evaporative cooler, make sure to unplug the power cord from the outlet. For other problems, visit our support page or contact Customer Care. Your safety is our priority.

Symptom	Possible Causes	Remedies
Cooler will not power ON	Circuit breaker tripped	Reset circuit breaker. If the issue persists, call a certified electrician.
	Power cord unplugged or damaged	Replace the power cord if necessary.
	GFCI tripping	<ol style="list-style-type: none">1. Plug in power cable, press "test" then "retest" and check for red light on GFCI.2. If there is no red light on GFCI, check power supply and replace GFCI if necessary.3. If GFCI has a red light and control is in Standby mode (Yellow LED on power button):<ol style="list-style-type: none">a. Press the "+" fan speed button and check fan operation. If GFCI trips, replace fan.b. If the fan runs, press the Cooling Mode button, and select Max Cooling. If GFCI trips, replace pump.4. If the problem persists, replace GFCI.
Cooler will not power ON Cont.	Faulty Control	<ol style="list-style-type: none">1. Unplug and re-plug-in the power cable.2. Check for red light illumination on GFCI.3. If the GFCI light is red but the control does not illuminate and go into Standby Mode after being plugged back in, replace control.

TROUBLESHOOTING

Symptom	Possible Causes	Remedies
Cooler will not power ON <i>Cont.</i>	Control Unplugged	<ol style="list-style-type: none">1. Unplug the unit power cable.2. Remove the control and make sure the power cable is securely plugged into the control.3. Reinstall the control.4. Plug in the unit power cable and retest.
Cooler starts, but airflow is not adequate	Fan error code	Check for fan error codes in the Alerts menu and consult the Alert Codes section of this manual.
	Media fouling is restricting airflow	<ol style="list-style-type: none">1. Clean evaporative media of any dirt or debris.2. If scale build-up is present, consult the online product support page for instructions on rinsing media using household white vinegar.
	Capacitor failure	Check and replace fan motor capacitor.
Musty or unpleasant odor	Stale or stagnant water in tank	Drain, flush, and clean tank.
	Dirty evaporative media	<ol style="list-style-type: none">1. Clean evaporative media of any dirt or debris.2. If mold or algae is present, consult the online product support page for instructions on rinsing media using household bleach.3. Replace media

TROUBLESHOOTING

Before fixing any issues with your evaporative cooler, make sure to unplug the power cord from the outlet. For other problems, visit our support page or contact Customer Care.

Symptom	Possible Causes	Remedies	
Water droplets in the air stream	Dirty evaporative media does not absorb water efficiently	<ol style="list-style-type: none">1. Clean evaporative media2. If the problem persists, replace evaporative media.	
	Gaps between media pads	Make sure the cooler is level. Adjust pads so there are no gaps between each block.	
	Too much water being delivered to media	<ol style="list-style-type: none">1. Check spray bar for clogs, clean or replace as necessary.2. Reduce water flow rate by changing Cooling mode to Eco or Manual and selecting a lower pump speed.	
Insufficient water flow or media wetting	The pump does not appear to be running as intended	<ol style="list-style-type: none">1. Check spray bar for clogs, clean or replace as necessary.2. Check pump inlet for clogs. Clear inlet if necessary.3. Increase water flow rate by changing cooling mode to Max Cooling or Manual and selecting a higher pump speed.	
Outlet Temperature is not displayed on the LCD screen	Exit Temperature Error	Check for Exit Temperature Error codes in the alerts menu and consult the Alert Codes section of this manual.	
Water leaking from the AC power cord	The AC power cord strain relief has become loose.	Tighten the AC cable strain relief.	

TROUBLESHOOTING

Symptom	Possible Causes	Remedies
Water level shows empty with water in the cooler	Not enough water in the cooler	Fill the cooler using the hose connection until the water stops
	Stuck water level sensor float	Ensure that the float moves freely up and down the water level sensor and verify that the lights change on the water level display.
	Water level sensor unplugged	Ensure the Liquid Level Indicator is securely plugged into the control.
Water level shows full with no water in the unit	Stuck water level sensor float	Ensure that the float moves freely up and down the water level sensor and verify that the lights change on the water level display.
	Faulty water level sensor	Replace the water level sensor.
Cooler does not turn on/off correctly with schedules	An error occurred when the schedule was setup or processed	<ol style="list-style-type: none"> 1. Verify the Wifi status light is solid blue on the display. See page 18 for more detail. 2. Power cycle the cooler by unplugging and plugging the cooler back in. 3. If problem persists then delete the schedule in the Portacool app and create a new one.
Portacool app does not accurately reflect the unit state	Connectivity or network problem	<ol style="list-style-type: none"> 1. Verify the Wifi status light is solid blue on the display. See page 18 for more detail. 2. Power cycle the cooler by unplugging and plugging the cooler back in. 3. If the problem persists then re-add the cooler to the app by selecting New Connection from the display menu and following instructions in the Portacool® app to add a new cooler.

WARRANTY

TECHNICAL SUPPORT

If you need technical support or service for your Portacool product, we're here to help. You can contact your nearest distributor or call Portacool, LLC Customer Care at (800) 695-2942. Our team can assist you with troubleshooting and provide guidance on parts replacement. To make the process smoother, please connect your cooler to the Portacool® app and have your evaporative cooler's serial number and model number ready when you contact us.

WARRANTY AND REPLACEMENT PARTS

Portacool™ Evaporative Cooler Limited Warranty

We want you to have peace of mind when you choose Portacool. That's why we offer a limited warranty for three (3) years from the date of purchase on any original component part or parts of our Portacool™ portable evaporative coolers (referred to as the "Equipment"). This warranty covers defects in material or workmanship and ensures your investment is protected.

Specifically for our Apex 500, 700, 1200, 2000, 4000, and 6500 models, we go the extra mile. We provide a Lifetime Warranty on the product housings, guaranteeing their quality. However, please note that this Lifetime Warranty will become void if the housing is misused, abused, or tampered with by unqualified personnel. It does not cover normal wear and tear and is non-transferable.

WHAT TO EXPECT IN CASE OF A DEFECT

If, within the warranty period, your Equipment or its original component parts develop a defect covered by this warranty, you have options. You can repair it yourself after receiving the necessary parts from Portacool or have it entirely replaced with a brand-new product of the same model, as per Portacool's discretion.

SHIPPING CHARGES

Please remember that any transportation charges for sending the Equipment or its component parts for replacement or repair under this warranty will be your responsibility as the purchaser.

VOIDING THE WARRANTY

This warranty becomes void if:

1. The Equipment or its component parts have been misused, abused, repaired, or tampered with by unqualified individuals.
2. Any of the product's component parts have been replaced with unauthorized Portacool replacement parts.
3. The product has been modified in any way except for repairs made by qualified individuals using Portacool replacement parts.
4. The product has not been registered appropriately by its original purchaser.
5. The customer cannot provide proof of purchase as the product's original owner.

PORTACOOOL LIMITATION OF LIABILITY

In the event of a breach of any implied or written warranty related to the Equipment or its parts, Portacool's liability is limited. We will not be liable for any incidental or consequential damages, and our liability for such breaches will not exceed the cost of replacement or repair of the Equipment. Your satisfaction is essential to us, and we're committed to providing you with top-quality products and support.

CONTACT US

ENGLISH

CUSTOMER SERVICE CONTACT
1-936-598-5651
1-800-695-2942
SUPPORT@PORTACOOOL.COM

TECHNICAL/PARTS CONTACT
1-936-598-5651
1-800-695-2942
SUPPORT@PORTACOOOL.COM
VISIT PORTACOOOL.COM OR CALL
1-936-598-5651
FOR MORE INFORMATION

PORTACOOOL, LLC
Manufacturer of Portacool®
portable evaporative coolers
711 FM 2468
Center, Texas 75935
936-598-5651
www.portacool.com

ESPAÑOL

CONTACTO DE SERVICIO AL CLIENTE
1-936-598-5651
1-800-695-2942
SUPPORT@PORTACOOOL.COM

1-936-598-5651
1-800-695-2942
SUPPORT@PORTACOOOL.COM
VISITA PORTACOOOL.COM O LLAME AL
1-936-598-5651
PARA MÁS
INFORMACIÓN

PORTACOOOL, LLC
Fabricante de Portacool®
enfriadores evaporativos portátiles
711 FM 2468
Center, Texas 75935
936-598-5651
www.portacool.com

FRANÇAIS

CONTACT DU SERVICE CLIENTÈLE
1-936-598-5651
1-800-695-2942
SUPPORT@PORTACOOOL.COM

CONTACT DU SUPPORT TECHNIQUE/ PIÈCES
1-936-598-5651
1-800-695-2942
SUPPORT@PORTACOOOL.COM
VISITEZ LE SITE PORTACOOOL.COM
OU APPELEZ LE
1-936-598-5651
POUR PLUS D'INFORMATIONS

PORTACOOOL, LLC
Fabricant des refroidisseurs par évapora-
tion portables Portacool® et des médias
711 FM 2468
Center, Texas 75935
936-598-5651
www.portacool.com

 Advertencia: Consulte el manual del propietario. Se recomienda servicio por parte de personal capacitado. 			
 <p>Aspas del ventilador rotatorias Pueden causar lesiones o cortes graves. Mantenga las manos alejadas. Apague el producto antes de darle servicio.</p>	 <p>Voltaje peligroso en el interior. Es necesario desconectar la energía antes de darle servicio al dispositivo GFCI.</p>	 <p>Algunos componentes son inflamables. Mantenga las llamas y cualquier dispositivo calentador alejados.</p>	 <p>No haga funcionar la bomba sin agua en el producto. Puede causar daños a los componentes.</p>

ADVERTENCIA: Para reducir el riesgo de incendio, descargas eléctricas o lesiones a personas, no utilice piezas de repuesto que no hayan sido recomendadas por el fabricante (por ejemplo, piezas hechas en casa utilizando una impresora 3D).

ADVERTENCIAS PARA LA OPERACIÓN

1. No debe ser utilizado por niños
2. No debe ser utilizado por personas con capacidades físicas, sensoriales o mentales reducidas
3. No debe ser utilizado por personas que no hayan revisado el manual del propietario y se hayan familiarizado con la operación del producto.

OPERACIONES SEGURAS

Para reducir el riesgo de descarga eléctrica, incendio o lesiones:

- No opere ningún enfriador evaporativo con un cable o enchufe dañado. Si el cable de alimentación está dañado, debe reemplazarlo el fabricante, su agente de servicio autorizado o personal calificado para evitar un peligro.
- No pase el cable de alimentación bajo el tapete ni lo cubra con alfombras, tapetes o cubiertas similares. Disponga el cable de alimentación lejos de las áreas de tráfico para evitar el peligro de trompezos. Antes de utilizar el enfriador evaporativo, revise cuidadosamente el manual y la etiqueta para entender completamente

SEGURIDAD

sus características y funciones.

- Recuerda desenchufar el enfriador evaporativos antes de darle servicio.
- Si tiene una toma de seguridad especial (GFCI), es importante probarla una vez al mes para asegurarse de que este funcionando correctamente. Esta es una revisión rápida para mantenerlo seguro..
- Siempre tire del enchufe, no del cable, cuando desconecte el enfriador evaporativo. Esto previene daños al cable con el tiempo.
- Mantenga el enfriador evaporativo alejado de cualquier cosa que tenga llamas abiertas o que pueda causar chispas.
- Cuando limpie su enfriador evaporativo, asegúrese de que la unidad esté apagada y desconectada.
- Siempre desconete el enchufe, no del cable, cuando desconecte el enfriador evaporativo. Esto previene daños al cable con el tiempo.
- No utilice un cable de si se ulitiliza al aire libre.
- Si lo utiliza en el interior, pueden utilizarse cables de extensión, aunque no se recomiendan. Si debe utilizar uno, asegúrese de que cumpla con los requisitos del cable.
 - Utilice cable conectado a tierra de forma apropiada 14 AWG o mayor para los equipos APEX 500 hasta APEX 4000
 - Utilice cable conectado a tierra de forma apropiada 12 AWG o mayor para el equipo APEX 6500
 - El cable de extensión no debe exceder los 50 pies (15.24 m) de longitud; y
 - El cable de extensión debe estar apropiadamente conectado a tierra.
- Tenga cuidado cuando mueva su enfriador evaporativo con el tanque lleno de agua; transpórtelo únicamente sobre las cuatro ruedas y no incline el enfriador evaporativo hacia adelante o hacia atrás.

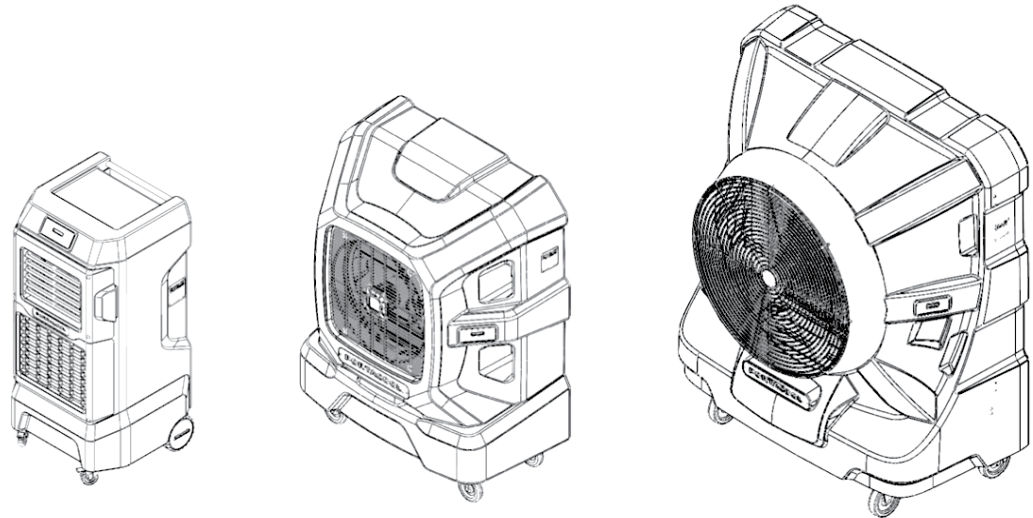
SEGURIDAD

- Los enfriadores evaporativos no deben modificarse de ninguna forma (diferente de las reparaciones hechas por individuos calificados con piezas de recambio de Portacool).
- Si el enfriador evaporativo está dañado o no funciona correctamente, no continúe utilizándolo. Consulte las secciones de garantía, resolución de problemas o preguntas frecuentes de este manual del propietario y llame a Atención al Cliente de Portacool, LLC. al (936) 598-5651 o al (800) 695-2942, o envíe un correo electrónico a support@portacool.com.

INTRODUCCIÓN

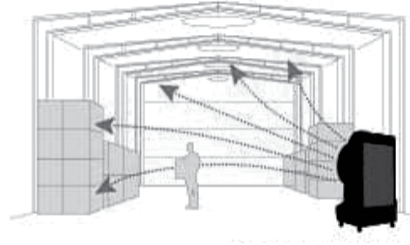
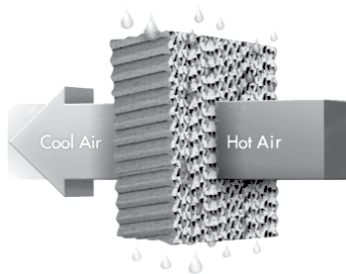
¡FELICITACIONES

por la compra de su nuevo enfriador evaporativo Portacool serie Apex! Prepárese para llevar su experiencia de enfriamiento a nuevas alturas. Estos son algunos consejos valiosos para garantizar una experiencia de enfriamiento inigualable.



PORTACOOOL

INTRODUCCIÓN



Los enfriadores evaporativos no son acondicionadores de aire. La diferencia clave está en que ellos enfrían el aire de manera natural y eficiente agregando humedad a la corriente de aire. El agua circulará en el medio de enfriamiento evaporativo. ¡A medida que el ventilador hace pasar el aire, el agua se evapora liberando una increíble potencia de enfriamiento!

Es importante poner el enfriador en un área bien ventilada con acceso al aire del exterior para un rendimiento de enfriamiento óptimo. Suponga que está enfriando una tienda o un área semi encerrada. En ese caso, le recomendamos poner la parte posterior del enfriador para permitir que el aire tibio del exterior pase a través del enfriador mientras una fuente constante de aire fresco y frío es empujada al interior del espacio. Para un flujo de aire de cantidad apropiada, asegúrese de dejar abierta una puerta o una ventana.

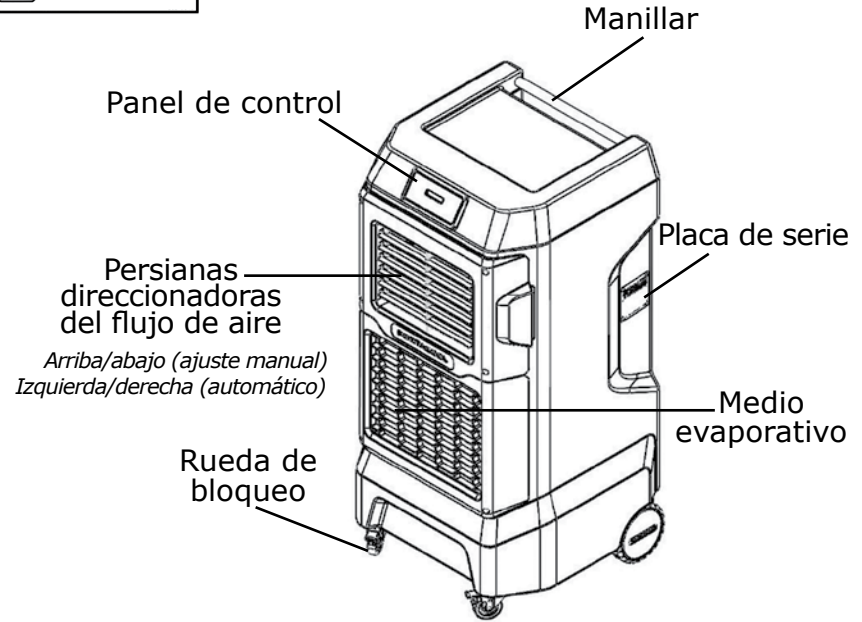
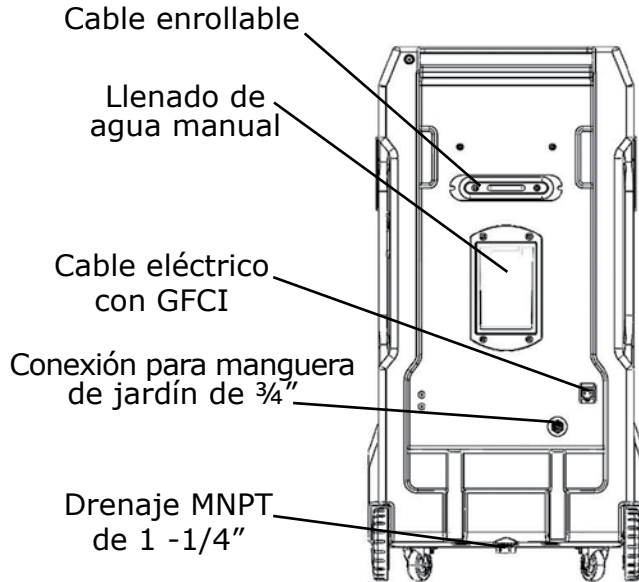
¡No olvide llevar el poder del enfriamiento evaporativo con usted! El enfriamiento evaporativo puede transformar muchos espacios, tales como patios, campos deportivos, garajes, campamentos y eventos al aire libre.

GENERALIDADES

⚠ Advertencia: Consulte el manual del propietario. Se recomienda servicio por parte de personal capacitado. ⚠

 <p>Aspas del ventilador rotatorias. Pueden causar lesiones o cortes graves. Mantenga las manos alejadas. Apague el producto antes de darle servicio.</p>	 <p>Voltaje peligroso en el interior. Es necesario desconectar la energía antes de darle servicio al dispositivo GFCI.</p>	 <p>Algunos componentes son inflamables. Mantenga las llamas y cualquier dispositivo calentador alejados.</p>	 <p>No haga funcionar la bomba sin agua en el producto. Puede causar daños a los componentes.</p>
--	---	--	--

Modelos:
PACA05001A1
PACA07001A1

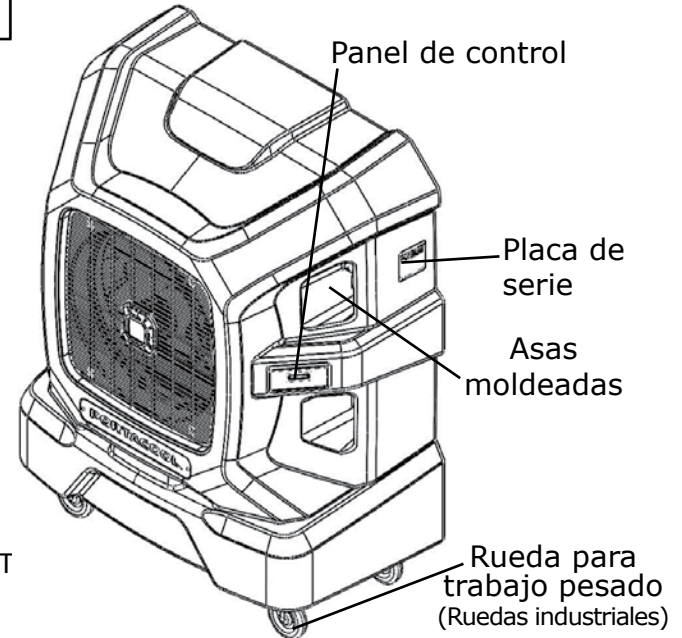
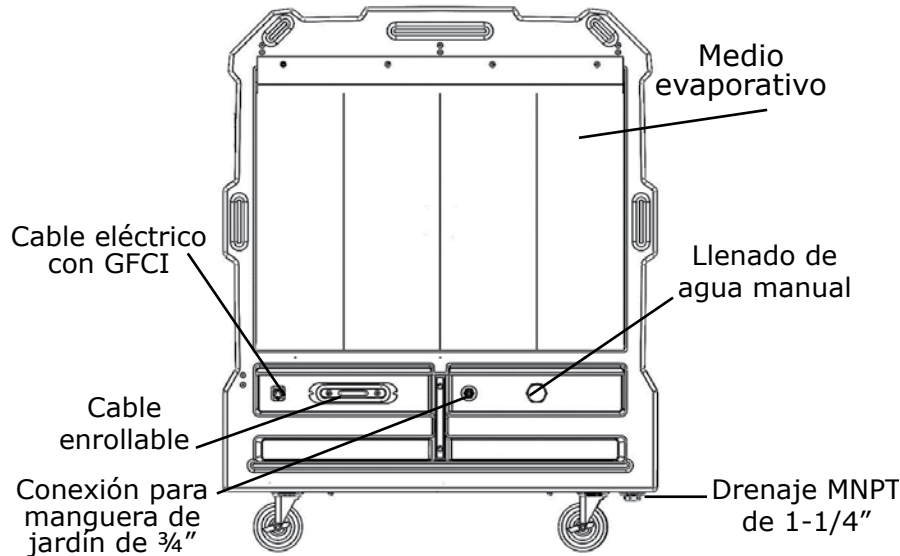


GENERALIDADES

⚠ Advertencia: Consulte el manual del propietario. Se recomienda servicio por parte de personal capacitado. ⚠

 <p>Aspas del ventilador rotatorias Pueden causar lesiones o cortes graves. Mantenga las manos alejadas. Apague el producto antes de darle servicio.</p>	 <p>Voltaje peligroso en el interior. Es necesario desconectar la energía antes de darle servicio al dispositivo GFCI.</p>	 <p>Algunos componentes son inflamables. Mantenga las llamas y cualquier dispositivo calentador alejados.</p>	 <p>No haga funcionar la bomba sin agua en el producto. Puede causar daños a los componentes.</p>
---	---	--	--

Modelos:
PACA12001A1
PACA20001A1



GENERALIDADES

⚠ Advertencia: Consulte el manual del propietario. Se recomienda servicio por parte de personal capacitado. **⚠**

 <p>Aspas del ventilador rotatorias. Pueden causar lesiones o cortes graves. Mantenga las manos alejadas. Apague el producto antes de darle servicio.</p>	 <p>Voltaje peligroso en el interior. Es necesario desconectar la energía antes de darle servicio al dispositivo GFCI.</p>	 <p>Algunos componentes son inflamables. Mantenga las llamas y cualquier dispositivo calentador alejados.</p>	 <p>No haga funcionar la bomba sin agua en el producto. Puede causar daños a los componentes.</p>
--	---	--	--

Modelos:
PACA40001A1
PACA65001A1

Medio evaporativo

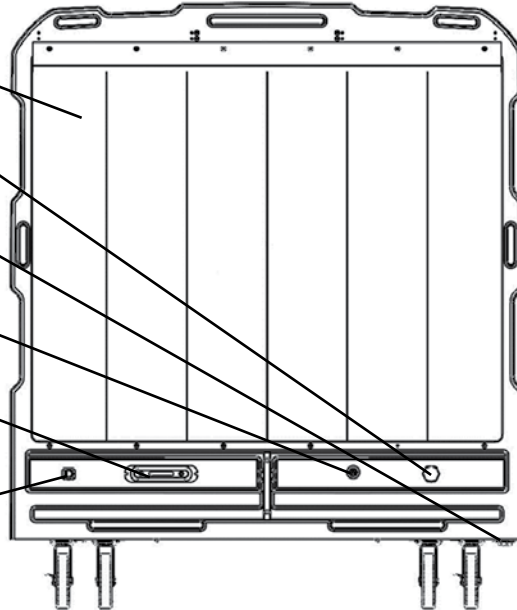
Llenado de agua manual

Drenaje MNPT de 1-1/4"

Conexión para manguera de jardín de 3/4"

Cable enrollable

Cable eléctrico con GFCI

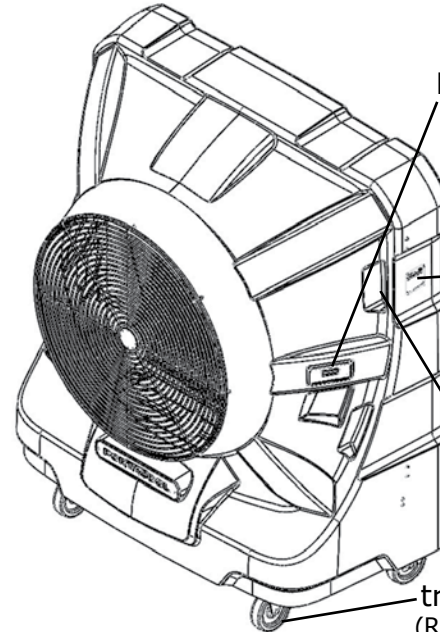


Panel de control

Placa de serie

Asas moldeadas

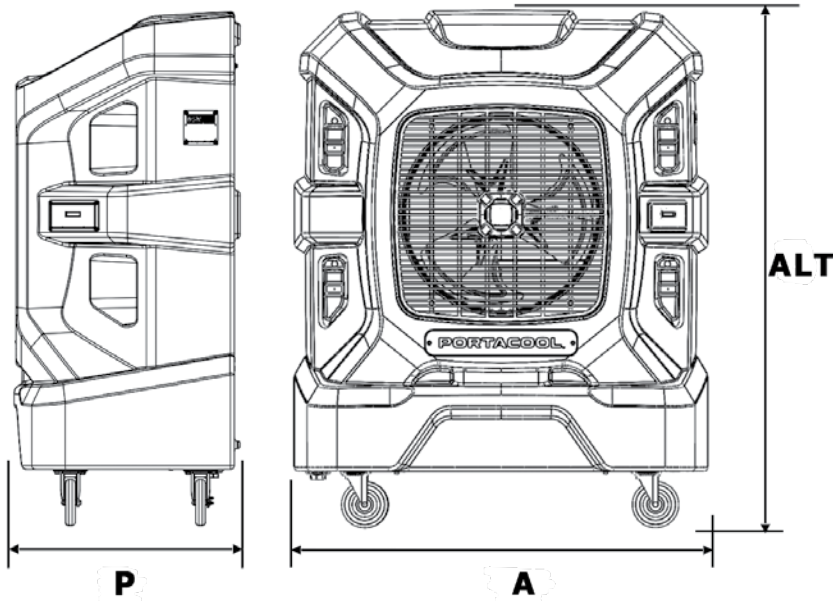
Rueda para trabajo pesado (Ruedas industriales)



PORTACOOOL.

GENERALIDADES

Nota: Los datos del producto son una estimación y pueden actualizarse sin previo aviso.



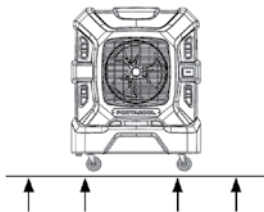
Modelo	Altura (ALT)	Ancho (A)	Profundidad (p)
PACA05001A1	117 cm	56 cm	50 cm
PACA07001A1	132 cm	69 cm	61 cm
PACA12001A1	147 cm	107 cm	66 cm
PACA20001A1	137 cm	137 cm	76 cm
PACA40001A1	196 cm	160 cm	84 cm
PACA65001A1	229 cm	201 cm	99 cm

Para más información del producto, visite nuestro sitio de Internet, **www.portacool.com**, o escanee el código QR: (Incluir el código QR)



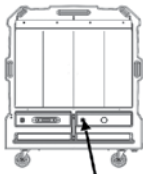
INICIO RÁPIDO

1. Posicionar



Ponga el enfriador sobre una superficie nivelada, mientras esté en uso. Bloquee las ruedas.

2. Llenar con agua



Llene el tanque o conecte una manguera de agua. Recomendamos utilizar la conexión de manguera con una válvula de cierre automático.

3. Conectar



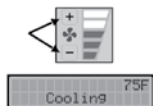
Asegúrese de conectarlo a un tomacorriente apropiado. Se recomienda un circuito dedicado de 15 A o 20 A. Evite el uso de cables de extensión para un mejor desempeño.

4. Presionar el botón de encendido



Presionar el botón de encendido en el enfriador comenzará una función de remojo previo para el medio. Durante este remojo previo, el ventilador funcionará a baja velocidad (la pantalla LCD mostrará un temporizador en cuenta regresiva).

5. Ajustar el ventilador a la velocidad deseada



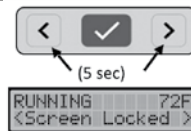
Después de la etapa de remojo previo, el ventilador regresará a su ajuste de velocidad anterior. Utilice los botones de velocidad para aumentar o disminuir la velocidad del ventilador como lo desee. La temperatura del aire a la salida aparecerá en la esquina superior derecha de la pantalla.

6. Apagar



Para apagarlo, presione una vez el botón de encendido. Si es necesario, el ventilador permanecerá encendido (ON) para secar el medio, y luego se apagará automáticamente y regresará al modo de Espera cuando haya terminado (la pantalla LCD mostrará un temporizador con cuenta regresiva).

7. Característica de bloqueo de pantalla

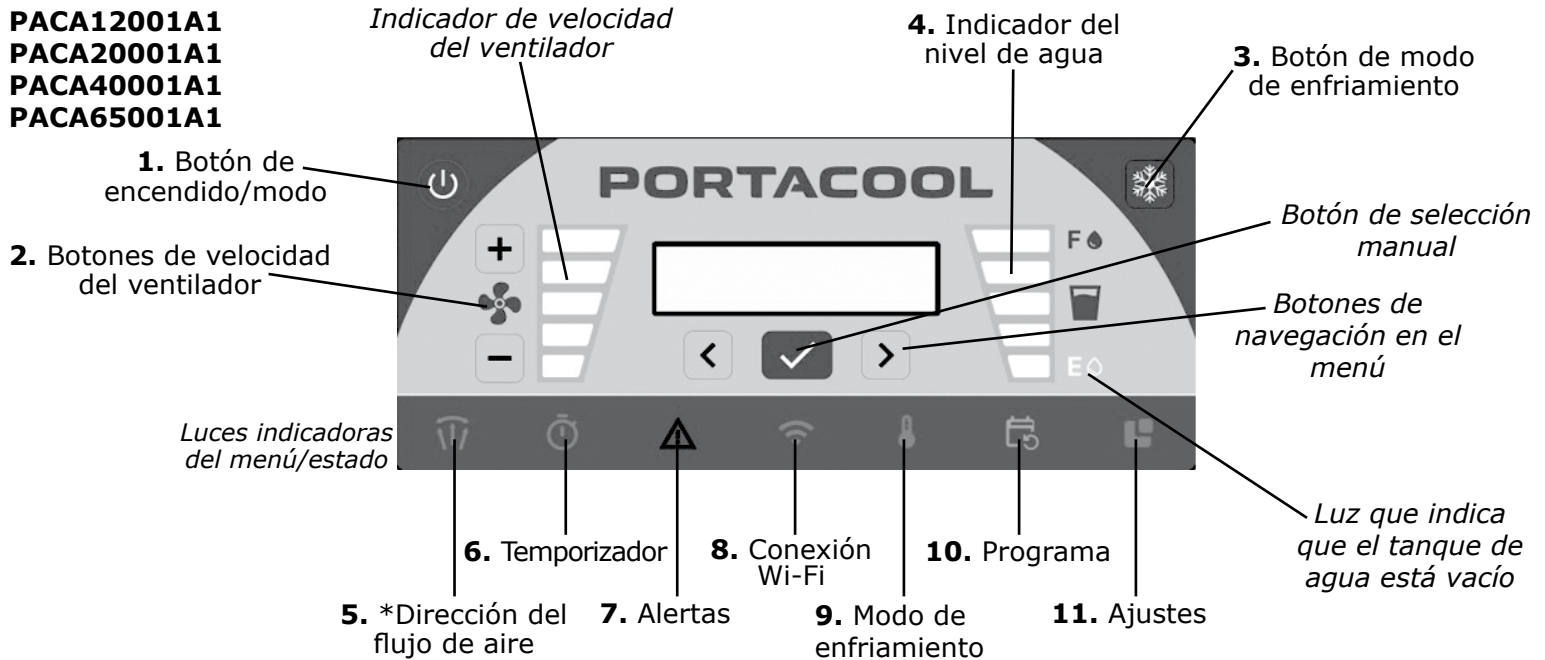


Para bloquear la pantalla, presione simultáneamente ambos botones de flecha en el menú por 5 segundos. Para desbloquearla, vuelva a presionar y sostener los botones por 5 segundos.

FUNCIONES DE LAS PANTALLAS

Modelos:

PACA05001A1
PACA07001A1
PACA12001A1
PACA20001A1
PACA40001A1
PACA65001A1



*Función únicamente habilitada en modelos con rejillas de aire: **PACA05001A1**, **PACA07001A1**.

FUNCIONES DE LAS PANTALLAS

Importante: ¡Conecte su enfriador a la aplicación Portacool® e instale las últimas actualizaciones para desbloquear y disfrutar todas las características!

1. Encendido/modo

Presione este botón para arrancar y apagar el enfriador evaporativo.

- Después de que el enfriador esté conectado, el control entrará automáticamente al Modo de espera.
- Para encender el enfriador evaporativo, presione el botón de encendido/modo. El enfriador comenzará a circular agua para el remojo previo del medio para un enfriamiento óptimo. El ventilador funcionará a baja velocidad durante el proceso de remojo previo hasta completar el ciclo. Una vez terminado el ciclo de remojo previo, los modos de ventilador y enfriamiento regresarán automáticamente a sus ajustes anteriores. **Nota:** *Presionar el botón del Modo de enfriamiento mientras el enfriador está en espera pondrá al enfriador en el Modo de remojo previo.*
- Presione una vez el botón de

encendido/modo para apagar el enfriador evaporativo. Si el medio está mojado, el enfriador lo secará automáticamente, y el temporizador de cuenta regresiva comenzará a funcionar. Una vez que el temporizador haya terminado, el enfriador regresará al Modo de espera. Si el sistema de agua no está funcionando, el enfriador pasará directamente al Modo de espera sin pasar por el proceso de secado. **Nota:** *Para omitir el secado automático del medio, presione nuevamente el botón de encendido/modo para pasar directamente al modo de espera.*

- Presione y mantenga presionado el botón de encendido/modo por 3 segundos para apagar el enfriador evaporativo y el panel de control. Una vez apagado, la luz LED también se apagará. **Nota:** *Cuando está en el modo apagado, el enfriador no puede controlarse directamente desde la app y no hará funcionar programas*

previamente configurados hasta que la unidad haya regresado al modo en espera.

2. Velocidad del ventilador

Presione los botones +/- para aumentar o disminuir la velocidad del ventilador.

- El ventilador tiene cinco velocidades, y las barras de luz de color azul indican el ajuste de velocidad actual. **Nota:** *Presionar las velocidades del ventilador mientras el enfriador está en modo espera pondrá al enfriador en el modo Sólo ventilador.*

3. Modo de enfriamiento

Presione para encender y apagar el sistema de agua o para cambiar el modo de enfriamiento.

- Presionar el botón de enfriamiento una vez encenderá el enfriamiento en el modo anterior. Utilice las flechas < > en el menú para cambiar el modo

FUNCIONES DE LAS PANTALLAS

en la pantalla LCD, si lo desea. **Nota:** *no es necesario mover el botón de modo de enfriamiento una vez que lo haya ajustado a su preferencia.*

- Pulsando el botón de modo de enfriador mientras el enfriador está en modo de espera El modo hará la transición del enfriador a Modo de remojo previo.
- **Hay tres modos de enfriamiento:**
 - Enfriamiento máximo (Recomendado) – El enfriador optimiza automáticamente la velocidad del flujo de agua para entregar un enfriamiento y caída de temperatura máximos con base en las condiciones del aire circundante.
 - Eco – Utilice este modo si está en un clima muy caliente/seco y desea sacrificar un poco de enfriamiento para consumir menos agua. Se reducirán la velocidad del flujo y el consumo de agua.
 - Manual – *Sólo está disponible en el*

Apex 1200, Apex 2000, Apex 4000 y en el Apex 6500. Este modo permite un control preciso de la velocidad del flujo de agua para ingresar su experiencia de enfriamiento preferida. Los ajustes 1 - 5 corresponden a la velocidad del flujo de agua de baja a alta. Esto se recomienda únicamente para usuarios experimentados.

4. Indicador del nivel de agua

Estos indicadores LED muestran el nivel de agua del depósito y generan advertencias cuando el nivel está bajo.

- Todas las cinco barras indicadoras serán azules cuando el depósito está lleno. A medida que el nivel de agua cae y es el momento de rellenarlo, la inferior barra se encenderá de color amarillo. Sin embargo, el sistema continuará enfriando. Cuando el nivel del agua caiga por debajo del nivel operativo mínimo para la bomba, la luz que indica que el tanque de agua está vacío se encenderá

de color rojo y se apagará al suministro de energía a la bomba. Rellenar el depósito permitirá que el enfriador continúe la operación normal.

5. Dirección del flujo de aire

Testa característica permite un control automático de la dirección del aire para personalizar su experiencia de enfriamiento. Nota: Únicamente los modelos APEX 500 y APEX 700.

- Navegue hasta 'Flujo de aire' en el menú de la pantalla LCD y utilice los botones < > para elegir uno de los tres modos de dirección del flujo de aire:
 - Narrow – The airflow is channeled towards the center for maximum velocity and reach.
 - Amplio – Las persianas se mueven hacia afuera para difundir el aire, proporcionando un área de cobertura más ancha de flujo constante. **Nota:** *iPuede personalizar su experiencia de enfriamiento con un control preciso de las persianas utilizando la App Portacool®!*

FUNCIONES DE LAS PANTALLAS

6. Temporizador

Le permite ajustar una duración automática del tiempo de operación.

- Para configurar un temporizador, navegue hasta la opción 'Temporizador' en el menú de la pantalla LCD. Luego, utilice los botones < > para elegir la duración deseada para el temporizador. Después de que termina el temporizador, el enfriador secará automáticamente el medio si está húmedo y volverá al Modo de espera.

7. Alertas

Esta característica le notifica de potenciales problemas con la operación de su enfriador evaporativo Apex™.

- Navegue hasta 'Alertas' en el menú de la pantalla LCD y utilice los botones < > para ver cualquier código de alerta activo. Consulte la sección "Códigos de alerta" de este manual para más detalles. El icono Alerta se encenderá en color amarillo para advertencias y en color rojo para alertas críticas.

8. Wifi and Conectividad

Esta característica le permite conectar su enfriador a la aplicación Portacool. Una vez conectado, utilice el menú WiFi para ver el nombre de la red y la fuerza de la señal.

Navegue hasta 'WiFi' en el menú de la pantalla LCD y utilice los botones < > para navegar por las secciones.

- WiFi encendido/apagado: Enciende y apaga el WiFi.
- Conexión nueva: Agrega el enfriador a la aplicación Portacool. Seleccione Conexión nueva y siga las instrucciones en la aplicación.

9. Programas

Esta característica le permite establecer un programa para su(s) enfriador(es).

Los programas sólo pueden establecerse mediante la aplicación Portacool. Siga las instrucciones en la aplicación para conectar el enfriador a la aplicación. Cuando se establece un programa, se encenderá el icono de programa.

10. Ajustes

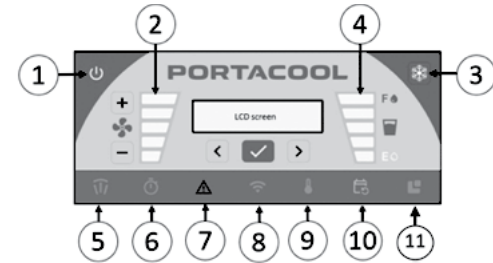
Este menú ajustes proporciona ajustes adicionales para su enfriador.

Temporizador: Consulte la sección temporizador de este manual.

- Tiempo de remojo previo: Cambia el tiempo de remojo previo para su enfriador en incrementos de 1 minuto.
- Formato de temperatura: Cambia la pantalla de temperatura de salida de °F a °C.
- Zumbador: Enciende y apaga el zumbador
- Información del enfriador: Ver las versiones VER, CFG y WIFI del enfriador (esto puede ser necesario para el servicio al cliente)
- Reinicio de fábrica: Regresa al enfriador a los ajustes de fábrica.
Nota: Esto desconectará al enfriador de la red WIFI.

ICONOS DE ESTADO LED

La tabla a continuación proporciona un resumen claro de las luces LED indicadoras de estado para el control.



#	Botón/Icono	Color	Estado LED	Estado del enfriador
1.	Botón de encendido/ modo	Amarillo	Encendido (ON Sólido)	El enfriador está actualmente en modo de espera
			Intermitente	El enfriador está actualmente secando el medio
		Verde	Apagado	El enfriador está actualmente apagado
			Encendido (ON Sólido)	El enfriador está actualmente funcionando
2.	Indicador de velocidad/ ad del ventilador	Azul	Intermitente	El enfriador está actualmente haciendo el remojo previo del medio
			Encendido (ON Sólido)	Las barras de luz representan las velocidades de 1-5
		Apagado	Apagado	El ventilador está apagado

ICONOS DE ESTADO LED

#	Botón/Icono	Color	Estado LED	Estado del enfriador
3.	Modo de enfriamiento	Azul	Encendido (ON Sólido)	Modo de enfriamiento máximo o Modo manual habilitado
			Intermitente	El modo de enfriamiento máximo o el modo manual están habilitados y el enfriador está haciendo el remojo previo del medio.
		Green	Encendido (ON Sólido)	El modo ECO está habilitado
			Intermitente	El modo ECO está habilitado y el enfriador está haciendo el remojo previo del medio.
		Apagado	Apagado	El modo de enfriamiento está apagado
4.	Nivel de agua	Azul	Encendido (ON Sólido)	Las barras de luz azul corresponden a un estimado de la cantidad de agua restante en el depósito (5=100%, 4=80%, 3=60%, 2=40%, 1=20%).
			Encendido (ON Sólido)	El nivel de agua está por debajo del 20% y deberá rellenarse pronto.
		Rojo	Encendido (ON Sólido)	Water reservoir is empty or below the minimum level required for pump operation (cooling mode).

ICONOS DE ESTADO LED

#	Botón/Icono	Color	Estado LED	Estado del enfriador
4.	Nivel de agua	Rojo	Intermitente	El modo de enfriamiento está habilitado, pero el nivel de agua está por debajo del mínimo, por lo tanto la bomba está deshabilitada. Vuelva a llenar para reanudar la operación normal.
5.	Dirección del flujo de aire (APEX 500/700)	Azul	Apagado	La dirección del flujo de aire está ajustada en el modo estrecho o amplio
			Encendido (ON Sólido)	La dirección del flujo de aire está ajustada en el modo de barrido
			Intermitente	El menú de Dirección del flujo de aire está seleccionado
6.	Temporizador	Azul	Apagado	No hay ningún temporizador activo
			Encendido (ON Sólido)	El temporizador está encendido y hay un temporizador en cuenta regresiva
			Intermitente	El menú del temporizador está seleccionado
7.	Alertas	Amarillo	Encendido (ON Sólido)	Hay uno o más mensajes de advertencia activos
			Intermitente	El menú de alertas está seleccionado
		Rojo	Encendido (ON Sólido)	Hay una o más alertas críticas activas

ICONOS DE ESTADO LED

#	Botón/Icono	Color	Estado LED	Estado del enfriador
8.	Wifi	Azul	Encendido (ON Sólido)	El enfriador está actualmente conectado a la aplicación Portacool®
			Intermitente (lento)	El enfriador está intentando conectarse a la red Wi-Fi
		Amarillo	Intermitente (rápido)	El menú Wi-Fi está seleccionado
			Intermitente	El enfriador está conectado a la red Wi-Fi pero no puede alcanzar la aplicación Portacool®
9.	Modo de Enfriamiento	Azul	Apagado	El Wi-Fi está deshabilitado
			Intermitente	El menú de ajustes está seleccionado
10.	Programa	Azul	Encendido (ON Sólido)	El enfriador está funcionando en un programa hecho con la App CoolSync
			Intermitente	El menú de programación está seleccionado
		Amarillo	Encendido (ON Sólido)	Hay un programa hecho con la App Portacool que está activo
			Apagado	No hay ninguna programación hecha
11.	Ajustes	Azul	Intermitente	El menú de ajustes está seleccionado

CÓDIGOS DE ALERTA

Advertencia: Consulte el manual del propietario. Se recomienda servicio por parte de personal capacitado.

	Aspas del ventilador rotatorias. Pueden causar lesiones o cortes graves. Mantenga las manos alejadas. Apague el producto antes de darle servicio.		Voltaje peligroso en el interior. Es necesario desconectar la energía antes de darle servicio al dispositivo GFCI.		Algunos componentes son inflamables. Mantenga las llamas y cualquier dispositivo calentador alejados.		No haga funcionar la bomba sin agua en el producto. Puede causar daños a los componentes.
---	---	---	--	---	---	---	---

Código de alerta	Texto de la alerta	Descripción	Posibles causas y soluciones
1.1	FAN ERR	El ventilador no parece estar funcionando como debiera	<ol style="list-style-type: none"> 1. Revise si el ventilador está funcionando y suministrando el flujo de aire esperado. Si la operación parece ser normal, ignore el error. Si se presentan problemas, desconecte la energía y vaya al paso 2. 2. Revise en busca de cables o conectores rotos o prensados. Si los cables están dañados, no intente repararlos, reemplace el motor del ventilador. 3. Revise la fijación del conector del ventilador al módulo de control y asegúrese de que esté ajustado. Desconecte y limpie los terminales, si es necesario. Conecte y vuelva a verificar la operación del ventilador. Si el ventilador todavía no funciona, reemplace el motor.
1.2	FAN ERR	La carga sobre el ventilador es mayor de lo esperado	<ol style="list-style-type: none"> 1. Revise en busca de daños en el medio evaporativo (restos, escamas, bloqueos). Limpie o reemplace el medio, si es necesario.

CÓDIGOS DE ALERTA

Código de alerta	Texto de la alerta	Descripción	Posibles causas y soluciones
1.2	FAN ERR	La carga sobre el ventilador es mayor de lo esperado	<ol style="list-style-type: none">Si se está utilizando un cable de extensión, asegúrese de que éste cumpla con los requisitos de tamaño y longitud en la sección de Seguridad de este manual. Retire/reemplace, si es necesario.Haga que un electricista certificado inspeccione el circuito del tomacorriente.
2.1	PUMP ERR	La bomba no parece estar funcionando como debier	<ol style="list-style-type: none">Lleve el modo de enfriamiento a Enfriamiento máximo y escuche en busca de circulación de agua y fíjese que haya un remojo apropiado del medio. Si el agua no está circulando, desconecte la energía y vaya al paso 2.Revise en busca de cables o conectores rotos o prensados. Si los cables están dañados, no intente repararlos, reemplace la bomba.Revise la fijación del conector de la bomba al módulo de control y asegúrese de que esté ajustado. Desconecte y limpie los terminales, si es necesario. Conecte y vuelva a verificar la operación de la bomba. Reemplace la bomba, si es necesario.

CÓDIGOS DE ALERTA

Código de alerta	Texto de la alerta	Descripción	Posibles causas y soluciones
2.2	PUMP ERR	La carga sobre la bomba es mayor de lo esperado	<ol style="list-style-type: none">1. Si se está utilizando un cable de extensión, asegúrese de que éste cumpla con los requisitos de tamaño y longitud en la sección de Seguridad de este manual. Retire/reemplace, si es necesario.2. Revise si la entrada de la bomba está obstruida. Límpiela si es necesario.3. Haga que un electricista certificado inspeccione el circuito del tomacorriente.4. Reemplace la bomba, si es necesario.
3.1	L LVR ERR	Error de la persiana de aire del lado izquierdo	<ol style="list-style-type: none">1. Seleccione el modo "Barrido" en el menú del flujo de aire y revise que funcione apropiadamente. Ambas persianas deben barrer hacia atrás y hacia adelante al unísono.2. Revise en busca de cualquier bloqueo al movimiento de la persiana (suciedad, restos, etc.). Retírelos y limpie.3. Reemplace el conjunto de la persiana, si es necesario.
3.2	R LVR ERR	Error de la persiana de aire del lado derecho	<ol style="list-style-type: none">1. Seleccione el modo "Barrido" en el menú del flujo de aire y revise que funcione apropiadamente. Ambas persianas deben barrer hacia atrás y hacia adelante al unísono.2. Revise en busca de cualquier bloqueo al movimiento de la persiana (suciedad, restos, etc.). Retírelos y limpie.3. Reemplace el conjunto de la persiana, si es necesario.

NOTA: Si sigue viendo códigos de alerta, visite Portacool.com en busca de ayuda, o póngase en contacto con el equipo de atención al cliente.

CÓDIGOS DE ALERTA

Código de alerta	Texto de la alerta	Descripción	Posibles causas y soluciones
4.2	WATER LOW	El nivel de agua está demasiado bajo.	Vuelva a llenar el depósito de agua pronto.
4.3	NO WATER	El nivel de agua es demasiado bajo para seguir enfriando.	Vuelva a llenar el depósito de agua para continuar la operación normal.
4.4	OVER FILL	El nivel de agua parece ser demasiado alto.	<ol style="list-style-type: none">1. Cierre el suministro de agua.2. Asegúrese de que la válvula de cierre del flotador esté alineada verticalmente. Ajústela si es necesario.3. Ajústelo si es necesario. Abra el suministro de agua y revise en busca de fugas cuando el flotador está en la parte superior (posición apagada). Reemplácelo, si es necesario.
5.5	LOW TEMP	Las condiciones ambientales alrededor del enfriador parecen ser demasiado bajas para la operación.	La temperatura ambiente donde está ubicado el enfriador es demasiado baja para la operación. Considere mover el enfriador a una ubicación diferente. Si el error persiste en una ubicación más caliente, póngase en contacto con servicio al cliente.

CÓDIGOS DE ALERTA

Código de alerta	Texto de la alerta	Descripción	Posibles causas y soluciones
5.7	EXIT ERR	El sensor de temperatura de salida no está funcionando correctamente.	El sensor de temperatura del aire de salida está ubicado en el conjunto de cables del sensor de nivel de agua. <ol style="list-style-type: none">1. Desconecte la energía y revise el conector del sensor del nivel de agua. Limpie y vuelva a conectar.2. Reemplace el sensor del nivel de agua, si es necesario.
6.1	LOW VOLT	El voltaje de entrada es demasiado bajo para que el enfriador funcione según lo previsto.	<ol style="list-style-type: none">1. Si se está utilizando un cable de extensión, asegúrese de que éste cumpla con los requisitos de tamaño y longitud en la sección de Seguridad de este manual. Retire/reemplace, si es necesario.2. Haga que un electricista certificado inspeccione el circuito del tomacorriente.
6.2	HIGH VOLT	El voltaje de entrada excede el rango operativo de este enfriador.	Haga que un electricista certificado inspeccione el circuito del tomacorriente.

¡Visite nuestra página de soporte del producto para ver el manual, los códigos de alerta y videos instruccionales más actualizados!

Pida piezas en línea en www.portacool.com



APLICACIÓN PORTACOOOL®

Aplicación Portacool®

La aplicación Portacool® conecta sin problemas su teléfono inteligente con los enfriadores evaporativos de la serie Apex. Una vez que su enfriador esté configurado en una red Wi-Fi y enlazado con la Nube de CoolSync, podrá operarlo remotamente a través de la aplicación, independientemente del lugar en que se encuentre. Además, la aplicación ofrece algunas características tales como:

- Control y monitoreo remotos de su enfriador evaporativo con notificaciones push.
- La capacidad de manejar múltiples enfriadores evaporativos Portacool Apex™ en un grupo.
- Convenientes opciones de programación.
- Estar pendiente del nivel de agua de su enfriador.
- Acceso rápido a manuales del producto y a información de soporte.

Cómo obtener la Aplicación Portacool®

1. Vaya a la tienda de aplicaciones de su teléfono inteligente (App Store de Apple para iPhone o Google Play Store para Android).
2. Busque "Portacool" y descargue la aplicación móvil de Portacool®.
3. Una vez descargada, abra la aplicación.
4. Ingrese si ya tiene una cuenta, o cree una cuenta nueva si no la tiene.
5. Siga las instrucciones en la pantalla para agregar su nuevo enfriador a su cuenta.



Descarga la
aplicación
Portacool

MANTENIMIENTO



Recordatorio importante: ¡Primero la seguridad!

Antes de comenzar el mantenimiento de su enfriador evaporativo Apex, desconecte la energía desconectando el cable del tomacorriente. Siempre realice el mantenimiento en un área segura.

Mantenimiento regular

1. Drene el depósito semanalmente: Para asegurarse de que su enfriador funcione de forma eficiente, drene el depósito de agua al menos una vez por semana. Esto ayudará a minimizar cualquier problema debido al agua estancada. Quite la tapa del drenaje y permita que salga toda el agua. Revise dentro del recipiente en busca de acumulación de suciedad, restos o escamas, y límpielo según sea necesario. Al volver a poner la tapa del drenaje, asegúrese de apretarla con la mano, pero no la apriete demasiado.
2. Limpie el medio evaporativo: Para mantener un desempeño óptimo, limpie periódicamente el medio evaporativo para remover la acumulación de suciedad, restos o escamas. Utilice agua limpia de una manguera (con una boquilla aspersora) y un cepillo de cerdas suaves para limpiar los bordes exteriores del medio. Para instrucciones de limpieza más detalladas, consulte nuestra página de soporte del producto en línea.
3. Abordar problemas con la dureza del agua: Si su calidad de agua es menor a la ideal debido a la dureza del agua, puede comprar el tratamiento para aguas duras Portacool Hard Water Treatment™ en www.portacool.com/shop o con un distribuidor autorizado. Este tratamiento cambia la estructura iónica de los minerales en el agua manteniéndolos fuera del medio. Mejora la eficiencia de enfriamiento, previene la acumulación de

MANTENIMIENTO

escamas, reduce la corrosión del equipo y prolonga la vida del medio evaporativo.

Almacenamiento adecuado

1. Drenar y limpiar: Antes de almacenar su enfriador, drene toda el agua del tanque y límpielo. Asegúrese de que tanto el medio evaporativo como el tanque estén secos.
2. Asegure el cable de energía: Enrolle el cable de energía y fíjelo a la correa del cable, para prevenir peligros de tropezones o daños al cable.
3. Cubrir y almacenar: Para prevenir la acumulación de polvo y proteger su enfriador, cúbralo completamente. Almacénelo en un área seca. Están disponibles cubiertas protectoras opcionales con su distribuidor, o en www.portacool.com/shop. Following these simple steps will keep your Apex evaporative cooler running smoothly and prolong its lifespan. If you require further assistance or have questions, please refer to our online support resources or contact our customer care team.

¡Visite nuestra página de soporte del producto para ver el manual, los códigos de alerta y videos instruccionales más actualizados!

Pida piezas en línea en portacoolparts.com



RESOLUCIÓN DE PROBLEMAS

Antes de solucionar cualquier problema con su enfriador evaporativo, asegúrese de desconectar el cable de alimentación del salida. Para otros problemas, visite nuestra página de soporte o comuníquese con Atención al cliente. Tu seguridad es nuestra prioridad.

Síntoma	Causas posibles	Soluciones
El enfriador no enciende	El cortacircuitos se disparó	Reinicie el cortacircuitos. Si el problema persiste, llame a un electricista certificado.
	Cable de alimentación desconectado o dañado	Reemplace el cable de alimentación si es necesario.
	El GFCI se dispara	<ol style="list-style-type: none">1. Conecte el cable de alimentación, presione "test" luego "retest" y revise que haya una luz roja en el GFCI.2. Si no hay ninguna luz roja en el GFCI, revise el suministro de energía y reemplace el GFCI si es necesario.3. Si el GFCI tiene una luz roja y el control está en el modo de espera (LED de color amarillo en el botón de encendido): A. presione el botón "+" de la velocidad del ventilador y revise la operación del ventilador. Si el GFCI se dispara, reemplace el ventilador. B. Si el ventilador funciona, presione el botón del Modo de enfriamiento y seleccione Enfriamiento máximo. Si el GFCI se dispara, reemplace la bomba.4. Si el problema persiste, reemplace el GFCI.
El enfriador no enciende	Control defectuoso	<ol style="list-style-type: none">1. Desconecte y vuelva a conectar el cable de alimentación.2. Revise que haya una luz roja en el GFCI.3. Si la luz en el GFCI es roja, pero el control no enciende y se va a Modo de espera después de volverlo a conectar, reemplace el control.

RESOLUCIÓN DE PROBLEMAS

Síntoma	Causas posibles	Soluciones
El enfriador no enciende Cont.	Control desconectado	<ol style="list-style-type: none">1. Desconecte el cable de alimentación de la unidad2. Saque el control y asegúrese de que el cable de alimentación esté bien conectado en el control.3. Vuelva a instalar el control4. Conecte el cable de alimentación de la unidad y vuelva a hacer la prueba.
El enfriador comienza, pero el flujo de aire no es adecuado	Código de error del ventilador	Revise en busca de los códigos de error del ventilador en el menú Alertas y consulte la sección de Códigos de alerta de este manual
	Un defecto en el medio restringe el flujo de aire	<ol style="list-style-type: none">1. Limpie cualquier suciedad o restos del medio evaporativo.2. Si se observa acumulación de escamas, consulte la página de soporte del producto en línea en busca de instrucciones sobre cómo enjuagar el medio utilizando vinagre blanco para el hogar.
	Falla del condensador	Revise y reemplace el condensador del motor del ventilador
Olor a moho o desagradable	Agua rancia o estancada en el tanque	Drene, enjuague y limpie el tanque.
	Medios evaporativos sucios	<ol style="list-style-type: none">1. Limpie cualquier suciedad o restos del medio evaporativo.2. Si se observan moho o algas, consulte la página de soporte del producto en línea en busca de instrucciones sobre cómo enjuagar el medio utilizando blanqueador para el hogar.3. Reemplace el medio

RESOLUCIÓN DE PROBLEMAS

Síntoma	Causas posibles	Soluciones
Gotas de agua en la corriente de aire	Medio evaporativo sucio que no absorbe el agua de forma eficiente	<ol style="list-style-type: none">1. Limpie el medio evaporativo2. Si el problema persiste, reemplace el medio evaporativo.
	Espacios entre las almohadillas de medio	Asegúrese de que el enfriador esté nivelado. Ajuste las almohadillas de manera que no haya espacios entre bloque y bloque.
	Le está llegando demasiada agua al medio	<ol style="list-style-type: none">1. Revise la barra de aspersion en busca de obstrucciones, limpie o reemplace según sea necesario.2. Reduzca la velocidad de flujo del agua cambiando el modo de Enfriamiento a ECO o Manual y seleccionando una velocidad de bomba más baja.
Flujo de agua o remojo del medio insuficientes.	La bomba no parece estar funcionando como debiera	<ol style="list-style-type: none">1. Revise la barra de aspersion en busca de obstrucciones, limpie o reemplace según sea necesario.2. Revise la entrada de la bomba en busca de obstrucciones. Despeje la entrada si es necesario.3. Aumente la velocidad de flujo del agua cambiando el modo de Enfriamiento a Enfriamiento máximo o Manual y seleccionando una velocidad de bomba más alta.
La temperatura de salida no se muestra en la pantalla LCD	Error de temperatura de salida	Revise en busca de los códigos de Error en la temperatura de salida en el menú Alertas y consulte la sección de Códigos de alerta de este manual.

RESOLUCIÓN DE PROBLEMAS

Antes de solucionar cualquier problema con su enfriador evaporativo, asegúrese de desconectar el cable de alimentación del salida. Para otros problemas, visite nuestra página de soporte o comuníquese con Atención al cliente. Tu seguridad es nuestra prioridad.

Síntoma	Causas posibles	Soluciones
Fugas de agua desde el cable de alimentación AC	La descarga de tensión del cable de alimentación AC se aflojó	Apriete la descarga de tensión del cable AC.
El nivel de agua aparece vacío cuando hay agua en la unidad	No hay suficiente agua en la unidad	Llene la hielera usando la conexión de la manguera hasta que se detenga el agua.
	El flotador del sensor de nivel de agua está atascado	Asegúrese de que el flotador se mueva libremente hacia arriba y hacia abajo en el sensor de nivel de agua y verifique que las luces cambien en la pantalla del nivel de agua.
	El sensor de nivel de agua está desconectado	Asegúrese de que el indicador de nivel de líquido esté conectado firmemente al control.
El nivel de agua aparece vacío cuando hay agua en la unidad	El flotador del sensor de nivel de agua está atascado	Asegúrese de que el flotador se mueva libremente hacia arriba y hacia abajo del sensor de nivel de agua y verifique que las luces cambien en la pantalla del nivel del agua.
	Sensor de nivel de agua defectuoso	Reemplace el sensor de nivel de agua.

RESOLUCIÓN DE PROBLEMAS

Antes de solucionar cualquier problema con su enfriador evaporativo, asegúrese de desconectar el cable de alimentación del salida. Para otros problemas, visite nuestra página de soporte o comuníquese con Atención al cliente. Tu seguridad es nuestra prioridad.

Síntoma	Causas posibles	Soluciones
La unidad no enciende/ apaga correctamente con programas	Ocurrió un error cuando se configuró o procesó el programa	<ol style="list-style-type: none">1. Verifique que la luz de estado de WIFI sea de color azul sólido en la pantalla. Consulte la página 52 para más detalles2. Apague y encienda la unidad desconectándola y volviéndola a conectar.3. Si el problema persiste, borre el programa en la aplicación Portacool y cree uno nuevo.
La aplicación Portacool no refleja con exactitud el estado de la unidad	Problema de conectividad o de la red	<ol style="list-style-type: none">1. Verifique que la luz de estado del WIFI sea de color azul sólido en la pantalla. Consulte la página 52 para más detalles.2. Apague y encienda el enfriador desconectándolo y volviendo a conectar la unidad.3. Si el problema persiste, vuelva a agregar el enfriador a la aplicación seleccionando Conexión nueva desde el menú de la pantalla y siguiendo las instrucciones en la aplicación Portacool para agregar un nuevo enfriador.

GARANTÍA

SOPORTE TÉCNICO

Si necesita soporte o servicio técnico para su producto de Portacool, estamos aquí para ayudarle. Puede ponerse en contacto con su distribuidor más cercano o llamar al Servicio al Cliente de Portacool, LLC al (800) 695-2942. Nuestro equipo puede ayudarle con la resolución de problemas y proporcionarle orientación sobre el reemplazo de piezas. Para facilitar el proceso, conecte su enfriador a la aplicación Portacool® y tenga listo el número de serie y el número de modelo de su enfriador evaporativo cuando se ponga en contacto con nosotros.

GARANTÍA Y PIEZAS DE REPUESTO

Garantía limitada del enfriador evaporativo Portacool™

Queremos que esté tranquilo cuando elija Portacool. Es por esto que le ofrecemos una garantía limitada por tres (3) años a partir de la fecha de compra sobre cualquier pieza o piezas originales de nuestros enfriadores evaporativos portátiles Portacool™ (denominados el "Equipo"). Esta garantía cubre defectos en materiales o mano de obra y garantiza que su inversión esté protegida.

Específicamente para nuestros modelos Apex 500, 700, 1200, 2000, 4000, y 6500, vamos más allá. Proporcionamos una Garantía de por vida en las carcasas del producto, garantizando su calidad. Sin embargo, tenga en cuenta que esta Garantía de por vida quedará anulada si se hace un mal uso de la carcasa, o se abusa de ella, o si la manipula personal no calificado. Esta garantía no cubre el desgaste normal y no es transferible.

QUÉ ESPERAR EN CASO DE UN DEFECTO

Si, dentro del periodo de garantía, su equipo o sus componentes originales desarrollan un defecto cubierto por esta garantía, usted tiene opciones. Puede repararlo usted mismo después de recibir las piezas necesarias de Portacool, o hacer que se lo

reemplacen por completo con un producto totalmente nuevo del mismo modelo, a discreción de Portacool.

CARGOS DE ENVÍO

Por favor, recuerde que cualquier cargo de transporte para enviar el equipo o sus componentes para reemplazo o reparación bajo esta garantía serán su responsabilidad como comprador.

ANULACIÓN DE LA GARANTÍA

La garantía queda anulada si:

1. El equipo o sus componentes han recibido un mal uso, abuso, reparaciones, o han sido manipulados por individuos no calificados.
2. Cualquiera de los componentes del producto ha sido reemplazado con piezas de repuesto no autorizadas por Portacool.
3. El producto ha sido modificado de alguna forma, excepto por reparaciones realizadas por individuos calificados utilizando piezas de recambio de Portacool..
4. El producto no ha sido registrado apropiadamente por su comprador original.
5. El cliente no puede proporcionar una prueba de compra como propietario original del producto.

LIMITACIÓN DE RESPONSABILIDAD DE PORTACOOOL

En caso de una violación de cualquier garantía implícita o escrita relacionada con el Equipo o sus partes, la responsabilidad de Portacool es limitada. No seremos responsables de ningún daño incidental o consecuencial, y nuestra responsabilidad por dichas violaciones no excederá el costo de reemplazo o reparación del Equipo. Su satisfacción es esencial para nosotros, y estamos comprometidos a proporcionarle productos y soporte de primera calidad.

CONTACT US

ENGLISH

CUSTOMER SERVICE CONTACT
1-936-598-5651
1-800-695-2942
SUPPORT@PORTACOOOL.COM

TECHNICAL/PARTS CONTACT
1-936-598-5651
1-800-695-2942
SUPPORT@PORTACOOOL.COM
VISIT PORTACOOOL.COM OR CALL
1-936-598-5651
FOR MORE INFORMATION

PORTACOOOL, LLC
Manufacturer of Portacool™
portable evaporative coolers
711 FM 2468
Center, Texas 75935
936-598-5651
www.portacool.com

ESPAÑOL

CONTACTO DE SERVICIO AL CLIENTE
1-936-598-5651
1-800-695-2942
SUPPORT@PORTACOOOL.COM

1-936-598-5651
1-800-695-2942
SUPPORT@PORTACOOOL.COM
VISITA PORTACOOOL.COM O LLAME AL
1-936-598-5651
PARA MÁS
INFORMACIÓN

PORTACOOOL, LLC
Fabricante de Portacool™
enfriadores evaporativos portátiles
711 FM 2468
Center, Texas 75935
936-598-5651
www.portacool.com

FRANÇAIS

CONTACT DU SERVICE CLIENTÈLE
1-936-598-5651
1-800-695-2942
SUPPORT@PORTACOOOL.COM

CONTACT DU SUPPORT TECHNIQUE/ PIÈCES
1-936-598-5651
1-800-695-2942
SUPPORT@PORTACOOOL.COM
VISITEZ LE SITE PORTACOOOL.COM
OU APPELEZ LE
1-936-598-5651
POUR PLUS D'INFORMATIONS

PORTACOOOL, LLC
Fabricant des refroidisseurs par évapora-
tion portables PortacoolMC et des médias
711 FM 2468
Center, Texas 75935
936-598-5651
www.portacool.com

 Mise en garde – Consulter le Manuel du propriétaire Entretien par du personnel formé recommandé. 			
 <p>Pales de ventilateur rotatives. Peut causer des blessures graves ou des coupures. Garder les mains éloignées. Éteindre l'appareil avant de procéder à son entretien.</p>	 <p>Tension dangereuse à l'intérieur. Débrancher l'alimentation avant de réparer le dispositif DDFT requis.</p>	 <p>Certains composants sont inflammables. Garder éloigné des flammes et des appareils de chauffage.</p>	 <p>Ne pas faire fonctionner la pompe sans eau dans l'appareil. Peut endommager les composants.</p>

AVERTISSEMENT : Pour réduire le risque d'incendie, de décharge électrique ou de blessure corporelle, ne pas utiliser de pièces de rechange qui n'ont pas été recommandées par le fabricant (par exemple, des pièces fabriquées à la maison à l'aide d'une imprimante 3D).

AVERTISSEMENTS RELATIFS AU FONCTIONNEMENT

1. Ne doit pas être utilisé par des enfants.
2. Ne doit pas être utilisé par des personnes aux capacités physiques, sensorielles ou mentales réduites.
3. Ne doit pas être utilisé par des personnes qui n'ont pas pris connaissance du manuel du propriétaire et qui ne sont pas familiarisées avec le fonctionnement de l'appareil.

FONCTIONNEMENT SÉCURISÉ

Pour réduire les risques de choc électrique, d'incendie ou de blessure:

- Ne pas utiliser le refroidisseur par évaporation lorsqu'un cordon ou une fiche sont endommagés. Si le cordon d'alimentation est endommagé, il doit être remplacé par le fabricant, son agent de service agréé ou un technicien qualifié afin d'éviter tout danger.

SÉCURITÉ

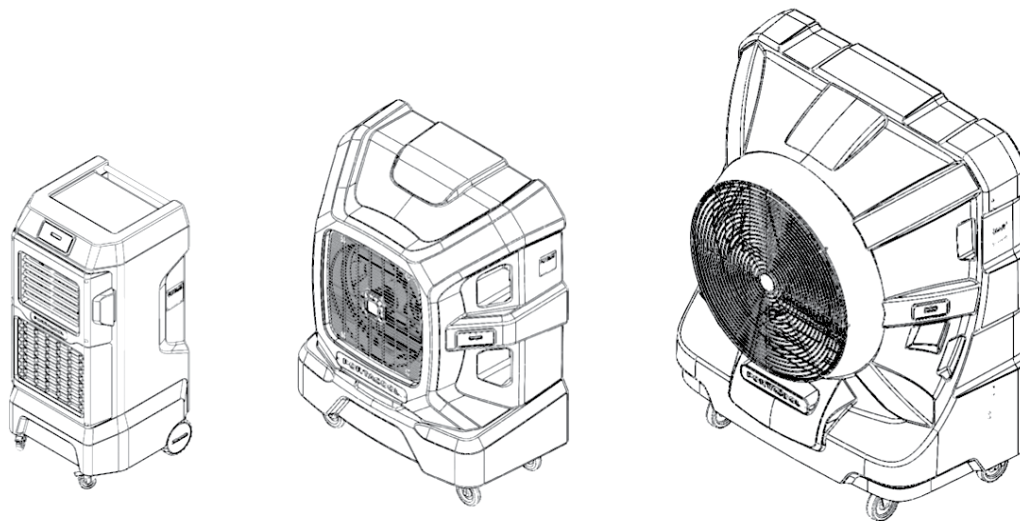
- Ne pas passer le cordon d'alimentation sous la moquette ni le recouvrir avec des tapis ou autres articles similaires. Disposer le cordon à l'écart de zones de passages fréquents pour éviter que quelqu'un ne trébuche. Avant d'utiliser le refroidisseur par évaporation, lire attentivement le manuel et l'étiquette pour bien comprendre ses caractéristiques et fonctions.
- N'oubliez pas de débrancher le refroidisseur évaporatif avant l'entretien.
- Ne pas brancher le refroidisseur par évaporation à moins que toutes les pièces et que le média ne soient bien en place.
- Si une prise de sécurité spéciale (DDFT) est utilisée, il est important de la tester une fois par mois pour s'assurer qu'elle fonctionne correctement. Il s'agit d'une vérification rapide pour assurer la sécurité.
- Toujours tirer sur la fiche, et non sur le cordon, pour débrancher le refroidisseur par évaporation. Garder le refroidisseur par évaporation éloigné de toute flamme nue ou de ce qui peut provoquer des étincelles.
- Pour nettoyer le refroidisseur par évaporation, s'assurer que l'appareil est éteint et débranché.
- Ne pas utiliser cet appareil avec un dispositif de contrôle de vitesse à semi-conducteur.
- Ne pas utiliser de rallonge avec ce produit s'il est utilisé à l'extérieur.
- S'il est utilisé à l'intérieur, il est possible d'utiliser des rallonges mais ce n'est pas recommandé. Si une rallonge est utilisée, s'assurer qu'elle réponde aux exigences du cordon.
 - Utiliser un câble de calibre 14 AWG ou supérieur correctement mis à la terre pour les modèles APEX 500 à APEX 4000.
 - Utiliser un câble de calibre 12 AWG ou supérieur correctement mis à la terre pour les modèles APEX 6500.
 - La rallonge ne doit pas dépasser 15,2 mètres (50 pieds) de longueur ; et
 - La rallonge doit être correctement mise à la terre.

- Faire preuve de prudence pour déplacer le refroidisseur par évaporation quand le réservoir est plein d'eau ; le transporter uniquement sur les quatre roulettes et ne pas l'incliner vers l'avant ou vers l'arrière.
- Les refroidisseurs par évaporation ne doivent être modifiés en aucune façon (sauf en cas de réparations par du personnel qualifié et avec des pièces de remplacement Portacool).
- Si le refroidisseur par évaporation est endommagé ou ne fonctionne pas correctement, ne plus l'utiliser. Se reporter aux sections sur la garantie, le dépannage ou de FAQ de ce manuel du propriétaire et appeler le service clientèle de Portacool, LLC. au (936) 598-5651 ou au (800) 695-2942, ou envoyer un courriel à support@portacool.com.

INTRODUCTION

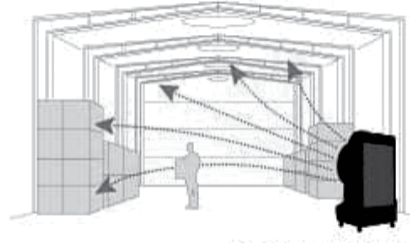
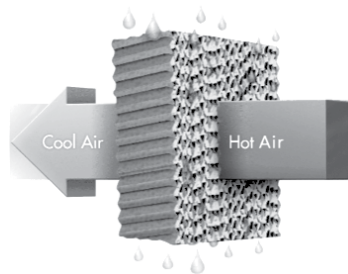
FÉLICITATIONS

pour votre achat d'un nouveau refroidisseur par évaporation de la série Portacool Apex! Préparez-vous à propulser votre expérience de refroidissement vers de nouveaux sommets. Voici quelques conseils importants pour vous assurer un voyage de refroidissement sans précédent.



PORTACOOOL.

INTRODUCTION



Les refroidisseurs par évaporation ne sont pas des climatiseurs. La principale différence est qu'ils refroidissent l'air naturellement et efficacement en ajoutant de l'humidité au flux d'air. L'eau circule sur le média de refroidissement par évaporation. Lorsque le ventilateur aspire l'air, l'eau s'évapore, libérant une incroyable puissance de refroidissement!

Il est important de placer le refroidisseur dans un endroit bien ventilé qui a largement accès à l'air extérieur pour des performances de refroidissement optimales. Supposons qu'il faille refroidir un atelier ou un espace semi-fermé. Dans ce cas, nous recommandons de placer l'arrière du refroidisseur de façon à permettre à l'air chaud extérieur de circuler à travers le refroidisseur tandis qu'un flux constant d'air frais est libéré dans l'espace. Pour une circulation d'air adéquate, laisser une porte ou une fenêtre ouverte.

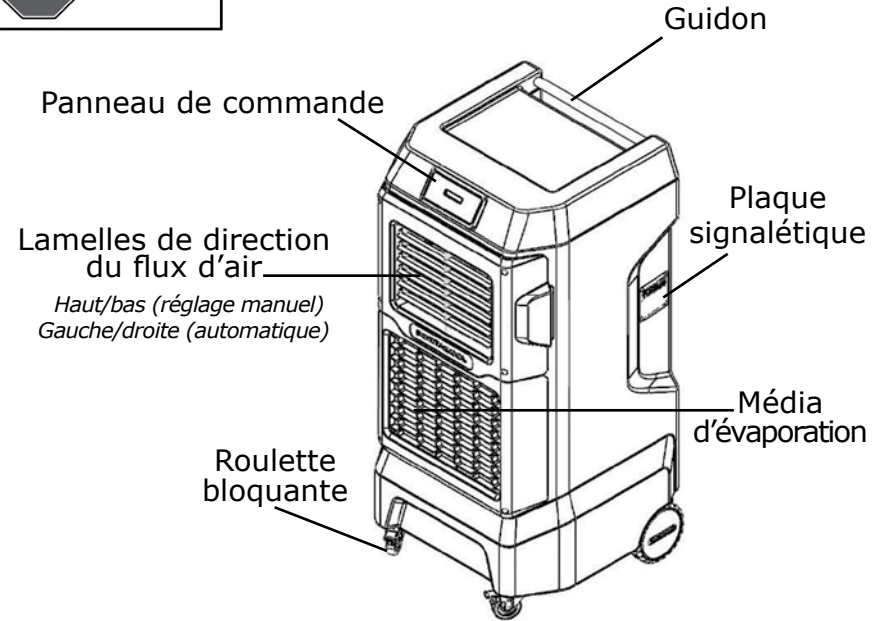
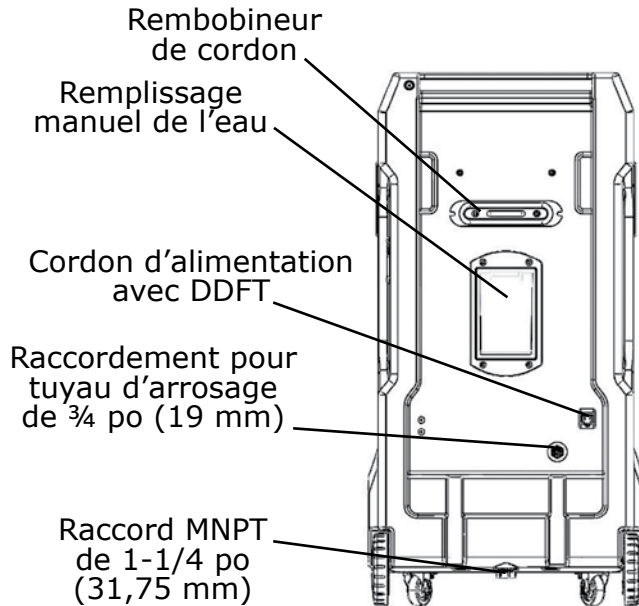
N'oubliez pas d'emporter avec vous la puissance du refroidissement par évaporation! Le refroidissement par évaporation peut transformer de nombreux espaces, tels que les terrasses, les terrains de sport, les garages, les campings et les aires pour événements en plein air.

VUE D'ENSEMBLE

Mise en garde – Consulter le Manuel du propriétaire Entretien par du personnel formé recommandé.

 <p>Palettes de ventilateur rotatives. Peut causer des blessures graves ou des coupures. Garder les mains éloignées. Éteindre l'appareil avant de procéder à son entretien.</p>	 <p>Tension dangereuse à l'intérieur. Débrancher l'alimentation avant de réparer le dispositif DDFT requis.</p>	 <p>Certains composants sont inflammables. Garder éloigné des flammes et des appareils de chauffage.</p>	 <p>Ne pas faire fonctionner la pompe sans eau dans l'appareil. Peut endommager les composants.</p>
--	--	---	--

Modèles:
PACA05001A1
PACA07001A1



PORTACOOOL

VUE D'ENSEMBLE

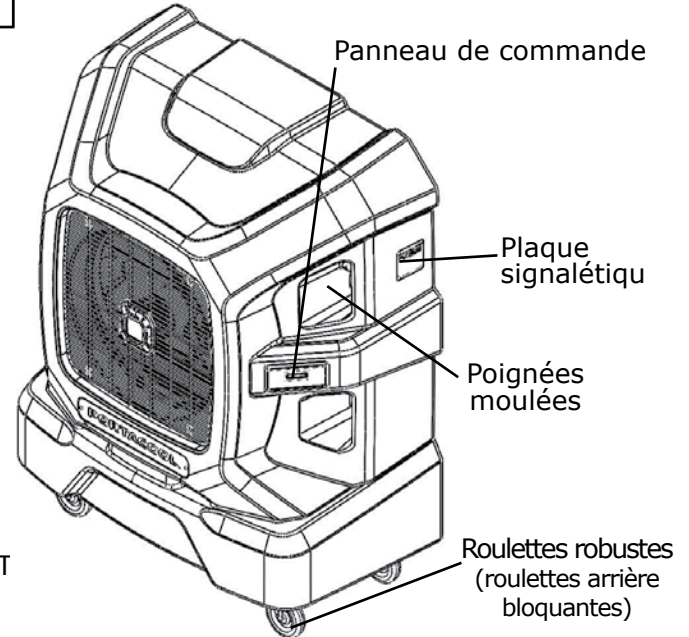
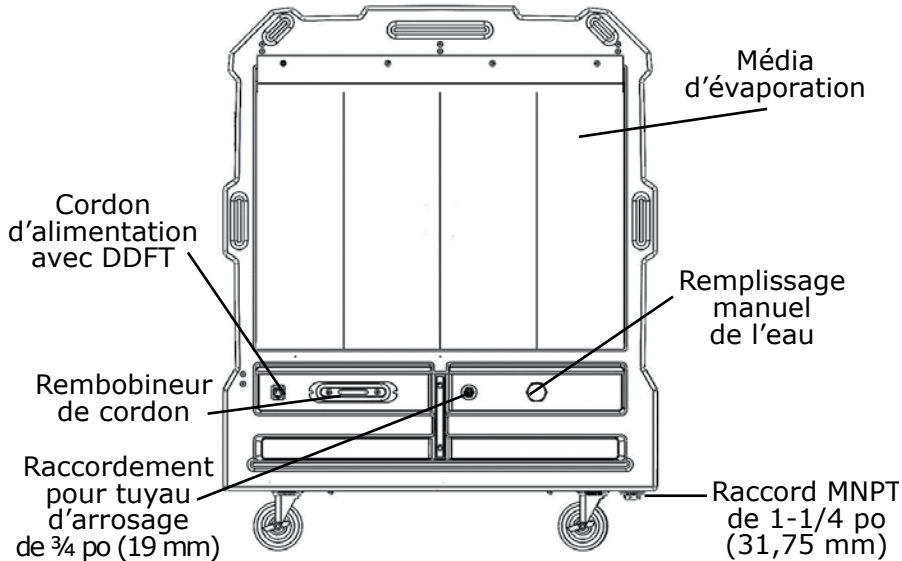
Mise en garde – Consulter le Manuel du propriétaire Entretien par du personnel formé recommandé.

 <p>Palles de ventilateur rotatives. Peut causer des blessures graves ou des coupures. Garder les mains éloignées. Éteindre l'appareil avant de procéder à son entretien.</p>	 <p>Tension dangereuse à l'intérieur. Débrancher l'alimentation avant de réparer le dispositif DDFT requis.</p>	 <p>Certains composants sont inflammables. Garder éloigné des flammes et des appareils de chauffage.</p>	 <p>Ne pas faire fonctionner la pompe sans eau dans l'appareil. Peut endommager les composants.</p>
--	--	---	--

Modèles:

PACA12001A1

PACA20001A1



VUE D'ENSEMBLE

Mise en garde – Consulter le Manuel du propriétaire Entretien par du personnel formé recommandé.

 <p>Palles de ventilateur rotatives. Peut causer des blessures graves ou des coupures. Garder les mains éloignées. Éteindre l'appareil avant de procéder à son entretien.</p>	 <p>Tension dangereuse à l'intérieur. Débrancher l'alimentation avant de réparer le dispositif DDFT requis.</p>	 <p>Certains composants sont inflammables. Garder éloigné des flammes et des appareils de chauffage.</p>	 <p>Ne pas faire fonctionner la pompe sans eau dans l'appareil. Peut endommager les composants.</p>
--	--	---	--

Modèles:

PACA40001A1

PACA65001A1

Média d'évaporation

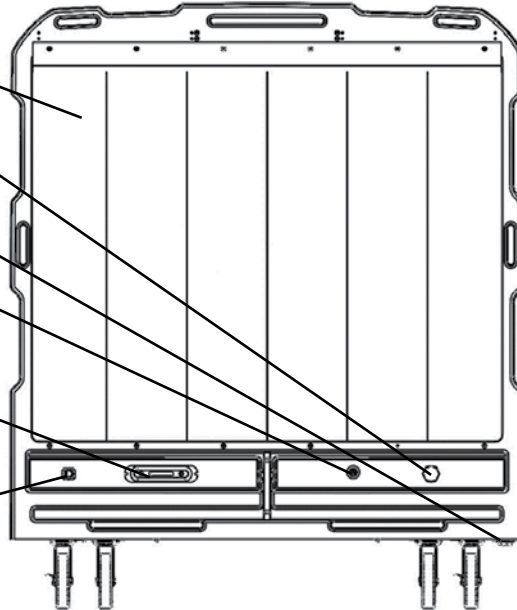
Remplissage manuel de l'eau

Raccord MNPT de 1-1/4 po (31,75 mm)

Raccordement pour tuyau d'arrosage de 3/4 po (19 mm)

Rembobineur de cordon

Cordon d'alimentation avec DDFT

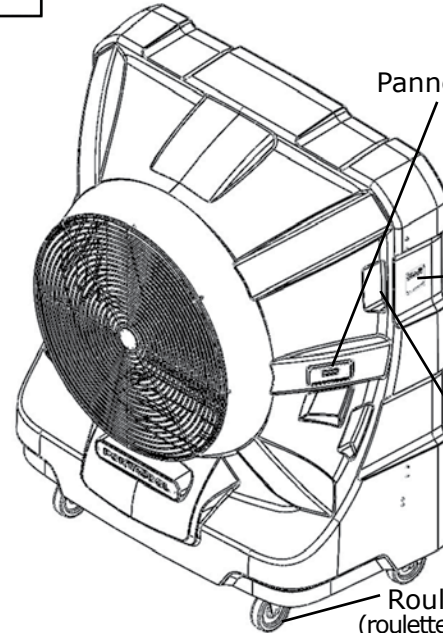


Panneau de commande

Plaque signalétique

Poignées moulées

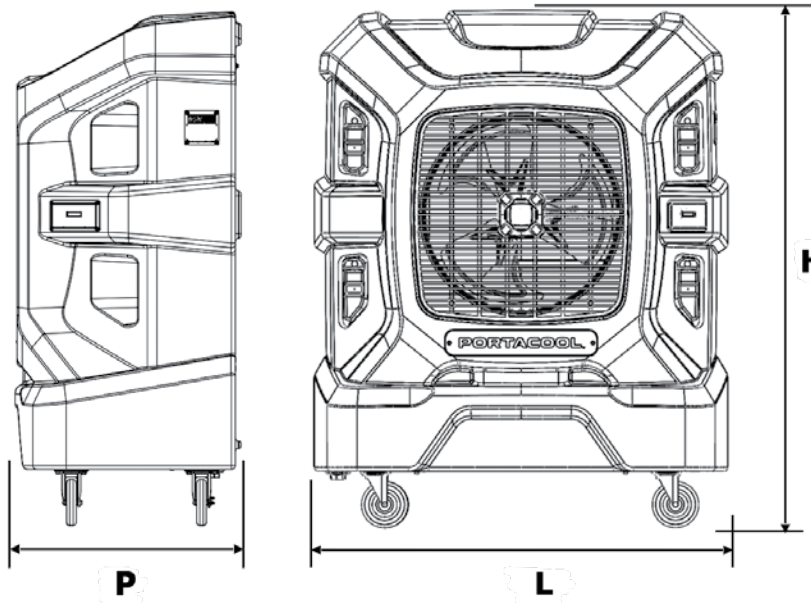
Roulettes robustes (roulettes arrière bloquantes)



PORTACOOOL

VUE D'ENSEMBLE

Remarque: Les données en ce qui concerne l'appareil sont une estimation et peuvent être mises à jour sans notification préalable



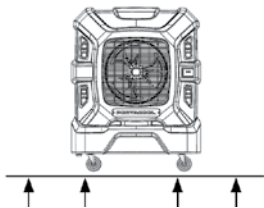
Modèle	Hauteur (H)	Largeur (L)	Profondeur (P)
PACA05001A1	117 cm	56 cm	50 cm
PACA07001A1	132 cm	69 cm	61 cm
PACA12001A1	147 cm	107 cm	66 cm
PACA20001A1	137 cm	137 cm	76 cm
PACA40001A1	196 cm	160 cm	84 cm
PACA65001A1	229 cm	201 cm	99 cm

Pour plus d'informations sur le produit, se rendre sur notre site Web, www.portacool.com, ou scanner le code QR: (inclure le code-barres QR)



GUIDE DE DÉMARRAGE

1. Installation



Installer le refroidisseur sur une surface plane quand il est utilisé. Verrouiller les roulettes.

2. Remplissage de l'eau



Remplir le réservoir ou fixer le tuyau d'eau. Nous recommandons d'utiliser le raccord pour tuyau avec une vanne d'arrêt automatique.

3. Branchement



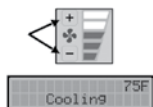
S'assurer de brancher l'appareil sur une prise appropriée. Un circuit dédié de 15 A ou 20 A est recommandé. Éviter d'utiliser des rallonges pour de meilleures performances.

4. Mise en marche



Appuyer sur le bouton d'alimentation du refroidisseur pour lancer la fonction de pré-trempage du média. Pendant le pré-trempage, le ventilateur fonctionne à basse vitesse (l'écran ACL affiche un compte à rebours).

5. Réglage du ventilateur à la vitesse souhaitée



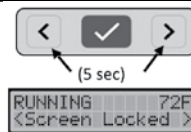
Après chaque pré-trempage, le ventilateur revient à la vitesse précédemment réglée. Utiliser les boutons de réglage de la vitesse pour augmenter ou diminuer la vitesse du ventilateur si nécessaire. La température de l'air de sortie s'affiche dans le coin supérieur droit de l'écran.

6. Arrêt



Pour éteindre l'appareil, appuyer une fois sur le bouton d'alimentation. Si cela est nécessaire, le ventilateur restera allumé pour sécher le média, puis s'éteindra automatiquement et reviendra en mode veille une fois terminé (l'écran ACL affichera un compte à rebours).

7. Fonction de verrouillage de l'écran

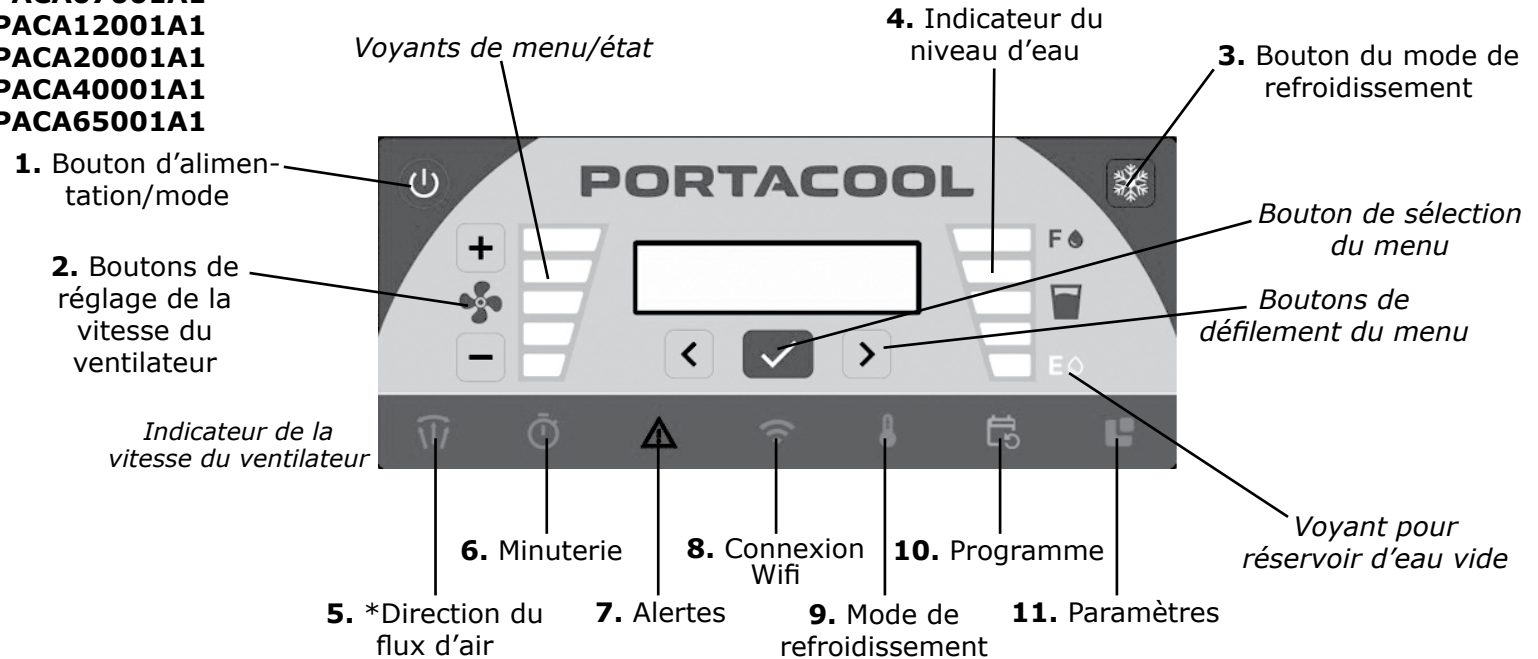


Pour verrouiller l'écran, appuyer simultanément sur les deux boutons fléchés du menu pendant 5 secondes. Pour le déverrouiller, appuyer à nouveau sur les boutons pendant 5 secondes.

FONCTIONS DE L’AFFICHAGE

Modèles:

PACA05001A1
PACA07001A1
PACA12001A1
PACA20001A1
PACA40001A1
PACA65001A1



*Fonctionnalité uniquement disponible sur les modèles avec grilles d'aération : PACA05001A1, PACA07001A1

ICÔNES D'ÉTAT DES LED

Important : Connecter le refroidisseur à l'application PortacoolMD et installer les dernières mises à jour pour déverrouiller toutes les fonctionnalités et en profiter!

1. Alimentation/mode

Appuyer sur ce bouton pour démarrer et éteindre le refroidisseur par évaporation.

- Une fois le refroidisseur branché, la commande passe automatiquement en mode veille.
- Pour mettre en marche le refroidisseur par évaporation, appuyer sur le bouton d'alimentation/mode. Le refroidisseur commence à faire circuler de l'eau pour pré-tremper le média pour un refroidissement optimal. Le ventilateur fonctionne à basse vitesse pendant le processus de pré-trempage jusqu'à ce que le cycle soit terminé. Une fois le cycle de pré-trempage terminé, les modes Ventilateur et Refroidissement reviendront automatiquement sur les réglages précédemment réglés. **Remarque :** Appuyer sur les

boutons de réglage de la vitesse du ventilateur fait sortir le refroidisseur par évaporation du mode de pré-trempage.

- Appuyer une fois sur le bouton d'alimentation/mode pour éteindre le refroidisseur par évaporation. Si le média est humide, le refroidisseur le sèche automatiquement et la minuterie d'arrêt démarre. Une fois la durée de la minuterie écoulée, le refroidisseur repasse en mode veille. Si le système d'eau ne fonctionne pas, le refroidisseur passe directement en mode veille sans suivre le processus de séchage. **Remarque :** Pour contourner le séchage automatique du média, appuyer à nouveau sur le bouton d'alimentation/mode pour passer directement en mode veille.

- Appuyer sur le bouton d'alimentation/mode pendant 3 secondes et le maintenir enfoncé pour éteindre le refroidisseur par évaporation et le panneau de commande. Une fois éteint, la LED s'éteint également. **Remarque :** En mode ARRÊT, le refroidisseur ne peut pas être contrôlé depuis l'application et n'exécute pas les programmes précédemment configurés une fois remis en veille.

2. Vitesse du ventilateur

Appuyer sur les boutons +/- pour augmenter ou diminuer la vitesse du ventilateur.

- Il existe cinq vitesses de ventilateur et les barres lumineuses bleues indiquent le réglage actuel de la vitesse. **Remarque :** Appuyer sur les vitesses du ventilateur pendant que le refroidisseur est en veille

ICÔNES D'ÉTAT DES LED

mettra le refroidisseur en mode ventilateur uniquement.

3. Mode de refroidissement

Appuyer pour allumer et éteindre manuellement le système d'eau ou pour modifier le mode de refroidissement.

- Appuyer une fois sur le bouton de refroidissement active le refroidissement au mode précédemment réglé. Utiliser les flèches < > dans le menu pour changer le mode sur l'écran ACL si désiré. **Remarque :** *Il n'est pas nécessaire d'appuyer sur le bouton du mode de refroidissement une fois qu'il est réglé comme désiré.*
- *Appuyer sur le bouton du mode de refroidissement pendant que le refroidisseur est en veille le fera passer en mode pré-trempage.*

• Il existe trois modes de refroidissement :

- Max Cooling (Refroidissement maximal) (recommandé) – Le refroidisseur optimise automatiquement le débit d'eau pour offrir un refroidissement maximal et une baisse de température en fonction des conditions de l'air ambiant.
- Eco (Économique) – Ce mode convient dans les climats très chauds/secs quand il est préférable de consommer moins d'eau même si le refroidissement est moins optimal. Le débit et la consommation d'eau seront réduits.
- Manual (Manuel) – Disponible uniquement sur les modèles Apex 1200, Apex 2000, Apex 4000 et Apex 6500. Ce mode permet un contrôle précis du débit d'eau pour sélectionner l'expérience de refroidissement désirée. Les

réglages 1 à 5 correspondent au débit d'eau de faible à élevé. Ce mode est recommandé uniquement aux utilisateurs expérimentés.

4. Indicateur du niveau de l'eau

Ces indicateurs LED affichent le niveau d'eau du réservoir et avertissent lorsque le niveau est bas.

- Les cinq barres indicatrices sont bleues quand le réservoir est plein. Quand le niveau d'eau baisse et qu'il est temps de remplir le réservoir, la barre inférieure s'allume en jaune. Cependant, le système continue à refroidir. Lorsque le niveau d'eau descend en dessous du niveau de fonctionnement minimum de la pompe, le voyant d'eau vide s'allume en rouge et l'alimentation électrique de la

ICÔNES D'ÉTAT DES LED

pompe est coupée. Remplir le réservoir permet au refroidisseur de continuer à fonctionner normalement.

5. Direction du flux d'air

Cette fonctionnalité permet un contrôle automatique de la direction de l'air pour personnaliser l'expérience de refroidissement.

Remarque : Modèles APEX 500 et APEX 700 uniquement.

- Accéder à « Airflow » (Flux d'air) dans le menu de l'écran ACL et utiliser les boutons < > pour choisir parmi l'un des 3 modes de direction du flux d'air :
 - Sweep (Balayage) – Les lamelles verticales oscillent de gauche à droite pour fournir un flux d'air sur une zone étendue. Le voyant bleu de direction du flux d'air reste allumé en mode balayage.
 - Étroit – Le flux d'air est canalisé vers le centre pour une vitesse et

une portée maximale.

◦Wide (Large) – Les lamelles se déplacent vers l'extérieur pour diffuser l'air, offrant ainsi une zone de couverture plus large et un flux constant. **Remarque :** Il est possible de personnaliser l'expérience de refroidissement avec un contrôle précis des lamelles en utilisant l'application Portacool®!

6. Minuterie

Permet de définir une durée de fonctionnement automatique.

- Pour régler la minuterie, accéder à l'option « Timer » (Minuterie) dans le menu de l'écran ACL. Ensuite, utiliser les boutons < > pour choisir la durée souhaitée pour la minuterie. Une fois la minuterie écoulée, le refroidisseur sèche automatiquement le média s'il est humide et revient en mode veille.

7. Alertes

Cette fonctionnalité informe des problèmes potentiels liés au fonctionnement du refroidisseur par évaporation Apex™.

- Accéder à « Alerts » (Alertes) dans le menu de l'écran ACL et utiliser les boutons < > pour afficher les codes d'alerte actifs. Consulter la section « Codes d'alerte » de ce manuel pour plus de détails. L'icône d'alerte s'allume en jaune pour les avertissements et en rouge pour les alertes critiques.

8. Wi-Fi et connectivité

Cette fonctionnalité permet de connecter le refroidisseur à l'application Portacool. Une fois le refroidisseur connecté, utiliser le menu WiFi pour afficher le nom du réseau et la puissance du signal.

ICÔNES D'ÉTAT DES LED

Accéder à « Wi-Fi » sur le menu de l'écran ACL et utiliser les boutons < > pour parcourir les sections.

- WiFi On/Off (WiFi activé/désactivé): activer et désactiver le WiFi.
- Nouvelle connexion: ajouter le refroidisseur à l'application Portacool. Sélectionner Nouvelle connexion et suivre les instructions de l'application.

9. Programmes

Cette fonctionnalité permet de définir un programme pour le ou les refroidisseurs.

Les programmes ne peuvent être définis que via l'application Portacool. Suivre les instructions de l'application pour connecter le refroidisseur à l'application. Lorsqu'un programme est défini, l'icône du programme s'allume.

10. Paramètres

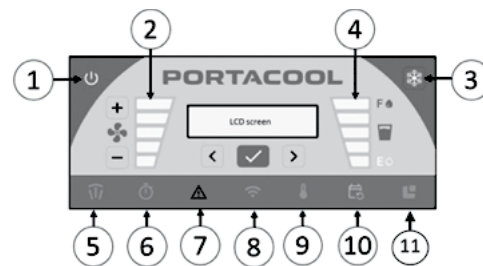
Le menu Settings (Paramètres) fournit des paramètres supplémentaires pour le refroidisseur..

- Timer (Minuterie): consulter la section relative à la minuterie de ce manuel.
- Pre-Soak Time (Durée du pré-trempage): modifier la durée du pré-trempage du refroidisseur par incréments de 1 minute.
- Temp Format (Format de température) : modifier l'affichage de la température de °F à °C.
- Buzzer (Avertisseur sonore) : activer ou désactiver l'avertisseur sonore
- Cooler Info (Informations sur le refroidisseur) : afficher les versions VER, CFG et WIFI du refroidisseur (celles-ci peuvent être requises par le service client).

- *Factory Reset (Réinitialisation d'usine) : rétablir les paramètres d'usine du refroidisseur. Remarque : Cela déconnectera le refroidisseur du réseau Wi-Fi.*

ICÔNES D'ÉTAT DES LED

Le tableau ci-dessous fournit un résumé clair des indicateurs d'état des LED de la commande.



#	Bouton/Icône	Couleur	État de la LED	État du refroidisseur
1.	Bouton d'alimentation/mode	Jaune	Allumé (en continu)	Le refroidisseur est actuellement en veille
			Clignotant	Le refroidisseur est en train de sécher le média
		Vert	Éteint	Le refroidisseur est éteint
			Allumé (en continu)	Le refroidisseur est en fonctionnement
2.	Indicateur de la vitesse du ventilateur	Bleu	Allumé (en continu)	Les barres lumineuses représentent la vitesse de 1 à 5
			Clignotant	Le refroidisseur est en train de pré-tremper le média
		Éteint	Éteint	Le ventilateur est éteint

ICÔNES D'ÉTAT DES LED

#	Bouton/Icône	Couleur	État de la LED	État du refroidisseur
3.	Botón de modo de enfriamiento	Bleu	Allumé (en continu)	Le mode Max Cooling (Refroidissement maximal) ou le mode Manual (Manuel) est activé
			Clignotant	Le mode Max Cooling (Refroidissement maximal) ou le mode Manual (Manuel) est activé et le refroidisseur pré-trempe le média.
		Vert	Allumé (en continu)	Le mode Eco (Économique) est activé
			Clignotant	Le mode Eco (Économique) est activé et le refroidisseur pré-trempe le média.
		Éteint	Éteint	Le mode de refroidissement est désactivé
4.	Niveau de l'eau	Bleu	Allumé (en continu)	Les barres lumineuses bleues correspondent à une estimation de la quantité d'eau qui reste dans le réservoir (5=100 %, 4=80 %, 3=60 %, 2=40 %, 1=20 %).
		Jaune	Allumé (en continu)	Le niveau d'eau est inférieur à 20 % et le réservoir doit bientôt être rempli.
		Rouge	Allumé (en continu)	Le réservoir d'eau est vide ou rempli à un niveau inférieur au niveau minimum requis pour le fonctionnement de la pompe (mode de refroidissement).

ICÔNES D'ÉTAT DES LED

#	Button/Icon	Color	LED Status	Cooler status
4.	Niveau de l'eau <i>Cont.</i>	Rouge	Clignotant	Le mode de refroidissement est activé mais le niveau d'eau est inférieur au minimum, la pompe est donc désactivée. Remplir le réservoir pour reprendre un fonctionnement normal.
5.	<i>Direction du flux d'air (APEX 500/700)</i>	Bleu	Éteint	La direction du flux d'air est réglée sur le mode étroit ou large
			Allumé (en continu)	La direction du flux d'air est réglée sur le mode balayage
			Clignotant	Le menu de direction du flux d'air est sélectionné
6.	Minuterie	Bleu	Éteint	Aucune minuterie n'est active
			Allumé (en continu)	La minuterie est activée et un compte à rebours est en cours
			Clignotant	Le menu de la minuterie est sélectionné
7.	Alertes	Jaune	Allumé (en continu)	Il y a un ou plusieurs messages d'avertissements actifs
			Clignotant	Le menu des alertes est sélectionné
		Rouge	Allumé (en continu)	Il y a une ou plusieurs alertes critiques actives

ICÔNES D'ÉTAT DES LED

#	Button/Icon	Color	LED Status	Cooler status
8.	Connexion Wi-Fi	Bleu	Allumé (en continu)	Le refroidisseur est connecté à Portacool® application
			Clignotant (lent)	Le refroidisseur tente de se connecter au réseau wi-fi
		Jaune	Clignotant (rapide)	Le menu wi-fi est sélectionné
			Clignotant	Le refroidisseur est connecté au réseau wi-fi mais n'arrive pas à se connecter à CoolSync Cloud
Éteint	Éteint	Wi-fi est désactivé		
9.	Mode Refroidissement	Bleu	Clignotant	Le menu des paramètres est sélectionné
10.	Programme	Bleu	Allumé (en continu)	Le refroidisseur fonctionne selon un programme planifié avec l'application Portacool®
			Clignotant	Le menu du programme est sélectionné
		Jaune	Allumé (en continu)	Un programme qui a été configuré avec l'application Portacool® est actif
			Éteint	Aucun programme n'est configuré
11.	Paramètres	Bleu	Clignotant	Le menu des paramètres est sélectionné

CODES D'ALERTE

 Mise en garde – Consulter le Manuel du propriétaire Entretien par du personnel formé recommandé. 			
 <p>Palles de ventilateur rotatives. Peut causer des blessures graves ou des coupures. Garder les mains éloignées. Éteindre l'appareil avant de procéder à son entretien.</p>	 <p>Tension dangereuse à l'intérieur. Débrancher l'alimentation avant de réparer le dispositif DFT requis.</p>	 <p>Certains composants sont inflammables. Garder éloigné des flammes et des appareils de chauffage.</p>	 <p>Ne pas faire fonctionner la pompe sans eau dans l'appareil. Peut endommager les composants.</p>

Code d'alerte	Texte d'alerte	Description	Causes et solutions possibles
1.1	FAN ERR	Le ventilateur ne semble pas fonctionner comme prévu	<ol style="list-style-type: none"> Vérifier si le ventilateur fonctionne et fournit le débit d'air attendu. Si le fonctionnement semble normal, ignorer l'erreur. En cas de problème, débrancher l'alimentation et passer à l'étape 2. Vérifier que les fils ou les connecteurs ne sont pas cassés ou pincés. Si les fils sont endommagés, ne pas essayer de les réparer, remplacer plutôt le moteur du ventilateur. Vérifier la fixation du connecteur du ventilateur au module de commande pour s'assurer du bon ajustement. Débrancher et nettoyer les bornes si nécessaire. Brancher l'appareil et vérifier à nouveau le fonctionnement du ventilateur. Si le ventilateur ne fonctionne toujours pas, remplacer le moteur.
1.2	FAN ERR	La charge sur le ventilateur est plus élevée que prévu	<ol style="list-style-type: none"> Vérifier l'encrassement du média d'évaporation (débris, tartre, blocages). Nettoyer ou remplacer le média si nécessaire.

CODES D'ALERTE

Code d'alerte	Texte d'alerte	Description	Causes et solutions possibles
1.2	FAN ERR	La charge sur le ventilateur est plus élevée que prévu	<ol style="list-style-type: none">2. Si une rallonge est utilisée, vérifier qu'elle répond aux exigences de taille et de longueur de la section Sécurité de ce manuel. La retirer/remplacer si nécessaire.3. Demander à un électricien certifié d'inspecter le circuit de la prise murale.
2.1	PUMP ERR	La pompe ne semble pas fonctionner comme prévu	<ol style="list-style-type: none">1. TFaire passer le mode de refroidissement sur Max Cooling (Refroidissement maximum), écouter l'eau circuler et vérifier que le média est bien mouillé. Si l'eau ne circule pas, débrancher l'alimentation et passer à l'étape 2.2. Vérifier que les fils ou les connecteurs ne sont pas cassés ou pincés. Si les fils sont endommagés, ne pas essayer de les réparer, remplacer plutôt la pompe.3. Vérifier la fixation du connecteur de la pompe au module de commande pour s'assurer du bon ajustement. Débrancher et nettoyer les bornes si nécessaire. Brancher l'appareil et vérifier à nouveau le fonctionnement de la pompe. Remplacer la pompe si nécessaire.

CODES D'ALERTE

Code d'alerte	Texte d'alerte	Description	Causes et solutions possibles
2.2	PUMP ERR	La charge sur la pompe est plus élevée que prévu	<ol style="list-style-type: none">1. Si une rallonge est utilisée, vérifier qu'elle répond aux exigences de taille et de longueur de la section Sécurité de ce manuel. La retirer/remplacer si nécessaire.2. Vérifiez si l'entrée de la pompe est obstruée. Nettoyer si nécessaire.3. Demander à un électricien certifié d'inspecter le circuit de la prise murale.4. Remplacer la pompe si nécessaire.
3.1	L LVR ERR	Erreur de la lamelle côté gauche	<ol style="list-style-type: none">1. Sélectionner le mode « Sweep » (Balayage) dans le menu du flux d'air et vérifier le bon fonctionnement. Les deux lamelles doivent balayer d'avant en arrière à l'unisson.2. Vérifier l'absence de tout blocage du mouvement des lamelles (saleté, débris, etc.). Les retirer et les nettoyer si nécessaire.3. Remplacer l'ensemble de protection des lamelles si nécessaire.
3.2	R LVR ERR	Erreur de la lamelle côté droit	<ol style="list-style-type: none">1. Sélectionner le mode « Sweep » (Balayage) dans le menu du flux d'air et vérifier le bon fonctionnement. Les deux lamelles doivent balayer d'avant en arrière à l'unisson.

CODES D'ALERTE

Code d'alerte	Texte d'alerte	Description	Causes et solutions possibles
3.2	R LVR ERR	Erreur de la lamelle côté droit	<ol style="list-style-type: none">2. Vérifier l'absence de tout blocage du mouvement des lamelles (saleté, débris, etc.). Les retirer et les nettoyer si nécessaire.3. Remplacer l'ensemble de protection des lamelles si nécessaire.
4.2	WATER LOW	Le niveau de l'eau devient très bas	Remplir assez rapidement le réservoir d'eau.
4.3	NO WATER	Le niveau d'eau est trop bas pour continuer le refroidissement	Remplir le réservoir d'eau pour poursuivre le fonctionnement normal.
4.4	OVER FILL	Le niveau d'eau semble trop élevé	<ol style="list-style-type: none">1. Couper l'alimentation en eau.2. S'assurer que le robinet d'arrêt à flotteur est aligné verticalement. L'ajuster si nécessaire.3. Ouvrir l'alimentation en eau et vérifier l'absence de fuites lorsque le flotteur est en position haute (arrêt). Remplacer si nécessaire.

REMARQUE: S'il y a encore des codes d'alerte, se rendre sur Portacool.com pour obtenir de l'aide ou contacter l'équipe du service client.

CODES D'ALERTE

Code d'alerte	Texte d'alerte	Description	Causes et solutions possibles
5.5	LOW TEMP	Les conditions ambiantes autour du refroidisseur semblent trop basses pour le fonctionnement.	La température ambiante où se trouve le refroidisseur est trop basse pour le fonctionnement. Penser à déplacer le refroidisseur vers un autre emplacement. Si le problème persiste dans un endroit plus chaud, contacter le service à la clientèle.
5.7	EXIT T ERR	Le capteur de température de sortie ne fonctionne pas correctement.	Le capteur de température de l'air de sortie est situé dans le faisceau de câbles du capteur de niveau d'eau. <ol style="list-style-type: none">1. Couper l'alimentation et vérifier le connecteur du capteur de niveau d'eau. Nettoyer et reconnecter.2. Remplacer le capteur de niveau d'eau si nécessaire
6.1	LOW VOLT	La tension d'entrée est trop faible pour que le refroidisseur fonctionne comme prévu.	<ol style="list-style-type: none">1. Si une rallonge est utilisée, vérifier qu'elle répond aux exigences de taille et de longueur de la section Sécurité de ce manuel. La retirer/remplacer si nécessaire.2. Demander à un électricien certifié d'inspecter le circuit de la prise murale.
6.2	HIGH VOLT	La tension d'entrée dépasse la plage de fonctionnement de ce refroidisseur.	Demander à un électricien certifié d'inspecter le circuit de la prise murale.

Rendez-vous sur notre page d'assistance produit pour obtenir le manuel, les codes d'alerte et les vidéos d'instructions les plus récents!

Commandez des pièces en ligne chez www.portacool.com/shop



APPLICATION PORTACOOOL®

Application Portacool®

L'application Portacool® connecte de manière simple votre téléphone aux refroidisseurs par évaporation de la série Apex. Une fois votre refroidisseur configuré sur un réseau Wi-Fi et connecté au CoolSync Cloud, vous pouvez le faire fonctionner à distance via l'application, quel que soit là où vous vous trouvez. De plus, l'application offre certaines fonctionnalités, telles que:

- Contrôle et surveillance à distance du refroidisseur par évaporation avec notifications poussées.
- Possibilité de gérer plusieurs refroidisseurs par évaporation Portacool Apex dans un groupe.
- Options de programmation pratiques.
- Surveillance du niveau d'eau du refroidisseur.
- Accès rapide aux manuels des produits et aux informations d'assistance.

Comment obtenir l'application Portacool®

1. Accédez à la boutique d'applications du smartphone (Apple App Store pour iPhone ou Google Play Store pour Android).
2. Recherchez « Portacool » et téléchargez l'application mobile Portacool®.
3. Une fois l'application téléchargée, ouvrez-la.
4. Connectez-vous si vous avez déjà un compte ou créez un nouveau compte si ce n'est pas le cas.
5. Suivez les instructions simples à l'écran pour ajouter votre nouveau refroidisseur à votre compte.

Télécharger
l'application
Portacool



MAINTENANCE



Rappel important: La sécurité d'abord!

Avant de commencer l'entretien du refroidisseur par évaporation Apex, couper l'alimentation en débranchant le cordon de la prise. Toujours effectuer la maintenance dans une zone sûre.

Maintenance régulière

1. Vider le réservoir chaque semaine : Pour garantir que le refroidisseur fonctionne de manière efficace, vider le réservoir d'eau au moins une fois par semaine. Cela permettra de minimiser tout dommage dû à l'eau stagnante. Retirer le bouchon de vidange et laisser toute l'eau s'écouler. Vérifier l'intérieur du réservoir pour déceler toute saleté, débris ou accumulation de tartre et le nettoyer si nécessaire. Pour remettre le bouchon de vidange en place, le serrer à la main mais pas trop.
2. Nettoyer le média d'évaporation : Pour maintenir des performances optimales, nettoyer périodiquement le média d'évaporation pour éliminer la saleté, les débris ou l'accumulation de tartre. Utiliser de l'eau propre d'un tuyau (une buse de pulvérisation) et une brosse à poils doux pour nettoyer les bords extérieurs du média. Pour des instructions de nettoyage plus détaillées, se reporter à notre page d'assistance produit en ligne.
3. Résoudre les problèmes d'eau dure : Si la qualité de votre eau est loin d'être idéale car elle est trop dure, il est possible d'acheter Portacool Hard Water Treatment™ sur www.portacool.com/shop ou auprès d'un

distributeur agréé. Ce traitement modifie la structure ionique des minéraux de l'eau, les empêchant d'aller sur le média. Cela améliore l'efficacité du refroidissement, empêche l'accumulation de tartre, réduit la corrosion des équipements et prolonge la durée de vie du média d'évaporation.

Stockage approprié

1. Vider et nettoyer : Avant de ranger le refroidisseur, vider toute l'eau du réservoir et l'essuyer. S'assurer que le média d'évaporation et le réservoir sont secs.
2. Fixer le cordon d'alimentation : Enrouler le cordon d'alimentation et l'attacher au bobineur de cordon pour éviter tout risque de trébuchement ou d'endommagement du cordon.
3. Couvrir et stocker : Pour éviter l'accumulation de poussière et protéger le refroidisseur, le couvrir complètement. Le ranger dans un endroit sec. Des housses de protection sont disponibles en option auprès des distributeurs ou sur www.portacool.com/shop.

Suivre ces étapes simples permet d'assurer le bon fonctionnement du refroidisseur par évaporation Apex et de prolonger sa durée de vie. Pour une assistance supplémentaire ou en cas de questions, se référer à nos ressources d'assistance en ligne ou contacter notre équipe de service client.

Rendez-vous sur notre page d'assistance produit pour obtenir le manuel, les codes d'alerte et les vidéos d'instructions les plus récents!

Commandez des pièces en ligne chez www.portacool.com/shop



DÉPANNAGE

Avant de résoudre tout problème avec votre refroidisseur par évaporation, assurez-vous de débrancher le cordon d'alimentation du sortie. Pour d'autres problèmes, visitez notre page d'assistance ou contactez le service client. Votre sécurité est notre priorité.

Symptôme	Causes possibles	Solutions
Le refroidisseur ne s'allume pas	Disjoncteur déclenché	Réinitialiser le disjoncteur. Si le problème persiste, appeler un électricien certifié.
	Cordon d'alimentation débranché ou endommagé	Remplacer le cordon d'alimentation si nécessaire.
	DDFT déclenché	<ol style="list-style-type: none">1. Brancher le câble d'alimentation, appuyer sur « test » puis tester à nouveau et vérifier le voyant rouge sur le DDFT.2. S'il n'y a pas de voyant rouge sur le DDFT, vérifier l'alimentation électrique et remplacer le DDFT si nécessaire.3. Si le DDFT a un voyant rouge et que la commande est en mode veille (LED jaune sur le bouton d'alimentation):<ol style="list-style-type: none">a. appuyer sur le bouton de réglage de la vitesse du ventilateur « + » et vérifier le fonctionnement du ventilateur. Si le DDFT se déclenche, remplacer le ventilateur.b. si le ventilateur fonctionne, appuyer sur le bouton Mode de refroidissement et sélectionner Max Cooling (Refroidissement maximum). Si le DDFT se déclenche, remplacer la pompe.4. Si le problème persiste, remplacer le DDFT.

Symptôme	Causes possibles	Solutions
Le refroidisseur ne s'allume pas	Contrôle défectueux	<ol style="list-style-type: none">1. Débrancher et rebrancher le câble d'alimentation.2. Vérifier le voyant rouge sur le DDFT.3. Si le voyant du DDFT est rouge mais que la commande ne s'allume pas et passe en mode veille après avoir été rebranchée, remplacer la commande.
Le refroidisseur ne s'allume pas	Contrôle débranché	<ol style="list-style-type: none">1. Débranchez le câble d'alimentation de l'appareil..2. Retirez le contrôle et s'assurer que le câble d'alimentation est correctement branché au contrôle.3. Réinstallez le contrôle.4. Branchez le câble d'alimentation de l'unité et retestez.
Le refroidisseur démarre, mais le flux d'air n'est pas suffisant	Code d'erreur du ventilateur	Vérifier les codes d'erreur du ventilateur dans le menu Alertes et consulter la section Codes d'alerte de ce manuel.
	L'encrassement du média limite le flux d'air	<ol style="list-style-type: none">1. Nettoyer le média d'évaporation de toute saleté ou débris.2. En cas d'accumulation de tartre, consulter la page d'assistance produit en ligne pour obtenir des instructions sur les produits de rinçage qui utilisent du vinaigre blanc domestique.
	Défaillance du condensateur	Vérifier et remplacer le condensateur du moteur du ventilateur

DÉPANNAGE

Avant de résoudre tout problème avec votre refroidisseur par évaporation, assurez-vous de débrancher le cordon d'alimentation du sortie. Pour d'autres problèmes, visitez notre page d'assistance ou contactez le service client. Votre sécurité est notre priorité.

Symptôme	Causes possibles	Solutions
Odeur de moisi ou désagréable	Présence d'eau viciée ou stagnante dans le réservoir	Vider, rincer et nettoyer le réservoir.
	Média d'évaporation sale	<ol style="list-style-type: none">1. Nettoyer le média d'évaporation de toute saleté ou débris.2. En cas de présence de moisissure ou d'algues, consulter la page d'assistance produit en ligne pour obtenir des instructions sur les produits de rinçage qui utilisent de l'eau de Javel domestique.3. Remplacer le média
Gouttelettes d'eau dans le flux d'air	Le média d'évaporation sale n'absorbe pas l'eau efficacement	<ol style="list-style-type: none">1. Média d'évaporation propre2. Si le problème persiste, remplacer le média d'évaporation.
	Espaces entre les coussinets du média	S'assurer que le refroidisseur est de niveau. Ajuster les coussinets pour qu'il n'y ait aucun espace entre les blocs. Check spray bar for clogs, clean or replace as necessary.
	Trop d'eau distribuée au média	<ol style="list-style-type: none">1. Vérifier la barre de pulvérisation pour déceler toute obstruction, la nettoyer ou la remplacer si nécessaire.2. Réduire le débit d'eau en passant le mode de refroidissement à Eco (Économique) ou Manual (Manuel) et en sélectionnant une vitesse de pompe inférieure.

Symptôme	Causes possibles	Solutions
Débit d'eau ou mouillage du support insuffisant	La pompe ne semble pas fonctionner comme prévu	<ol style="list-style-type: none"> 1. Vérifier la barre de pulvérisation pour déceler toute obstruction, la nettoyer ou la remplacer si nécessaire. 2. Vérifier l'entrée de la pompe pour déceler toute obstruction. Nettoyer l'entrée si nécessaire 3. Augmenter le débit d'eau en passant le mode de refroidissement à Max Cooling (Refroidissement maximal) ou Manual (Manuel) et en sélectionnant une vitesse de pompe supérieure.
La température de sortie ne s'affiche pas sur l'écran ACL.	Erreur de température de sortie	Vérifiez les codes d'erreur de température de sortie dans le menu des alertes et consultez la section Codes d'alerte de ce manuel.
Fuite d'eau par le cordon d'alimentation secteur	Le serre-câble du cordon d'alimentation secteur s'est desserré	Resserrer le serre-câble du câble secteur.
Le niveau d'eau indique que l'appareil est vide alors qu'il y a de l'eau dans l'appareil	Pas assez d'eau dans l'appareil	Remplir l'appareil à l'aide du raccordement du tuyau jusqu'à ce que l'eau s'arrête.
	Flotteur du capteur de niveau d'eau coincé	S'assurer que le flotteur monte et descend librement du capteur de niveau d'eau et vérifier que les voyants changent sur l'affichage du niveau d'eau.
	Capteur de niveau d'eau débranché	S'assurer que l'indicateur de niveau de liquide est bien branché sur le contrôle.

DÉPANNAGE

Avant de résoudre tout problème avec votre refroidisseur par évaporation, assurez-vous de débrancher le cordon d'alimentation du sortie. Pour d'autres problèmes, visitez notre page d'assistance ou contactez le service client. Votre sécurité est notre priorité.

Symptôme	Causes possibles	Solutions
Le niveau d'eau indique que l'appareil est vide alors qu'il y a de l'eau dans l'appareil	Flotteur du capteur de niveau d'eau coincé	S'assurer que le flotteur monte et descend librement du capteur de niveau d'eau et vérifier que les voyants changent sur l'affichage du niveau d'eau.
	Capteur de niveau d'eau défectueux	Remplacez le capteur de niveau d'eau.
L'appareil ne s'allume/ne s'éteint pas correctement selon les programmes	Une erreur s'est produite lors de la configuration ou du traitement du programme	<ol style="list-style-type: none">1. Vérifier que le voyant d'état Wi-Fi reste allumé en bleu sur l'écran. Voir page 87 pour plus de détails.2. Rétablir le cycle d'alimentation de l'appareil en le débranchant et en le rebranchant.3. Si le problème persiste, supprimer le programme dans l'application Portacool et en créer un nouveau.
L'application Portacool ne reflète pas avec précision l'état de l'appareil	Problème de connectivité ou de réseau	<ol style="list-style-type: none">1. Vérifiez que le voyant d'état Wifi reste allumé en bleu sur l'écran. Voir page 87 pour plus de détails.2. Rétablir le cycle d'alimentation du refroidisseur en débranchant et en rebranchant l'appareil.3. Si le problème persiste, ajouter à nouveau le refroidisseur à l'application en sélectionnant New Connection (Nouvelle connexion) dans le menu de l'affichage et en suivant les instructions de l'application CoolSync pour ajouter un nouveau refroidisseur.

ASSISTANCE TECHNIQUE

Si vous avez besoin d'une assistance technique ou d'un service pour votre produit Portacool, nous sommes là pour vous aider. Vous pouvez contacter votre distributeur le plus proche ou appeler le service client de Portacool, LLC au (800) 695-2942. Notre équipe peut vous aider à résoudre le problème et vous fournir des conseils sur le remplacement des pièces. Pour faciliter le processus, connectez le refroidisseur à l'application PortacoolMD et disposez des numéros de série et de modèle du refroidisseur à évaporation à portée de main quand vous nous contactez.

GARANTIE ET PIÈCES DE RECHANGE

Garantie limitée du refroidisseur par évaporation Portacool®

Nous voulons que vous ayez l'esprit tranquille lorsque vous choisissez Portacool. C'est pourquoi nous offrons une garantie limitée de trois (3) ans à compter de la date d'achat sur tout composant d'origine ou toutes pièces de nos refroidisseurs par évaporation portables Portacool™ (appelés « Équipement »). Cette garantie couvre les défauts de matériaux ou de fabrication et garantit la protection de votre investissement.

Spécifiquement pour nos modèles Apex 500, 700, 1200, 2000, 4000 et 6500, nous faisons un effort supplémentaire. Nous offrons une garantie à vie sur les boîtiers des produits, ce qui garantit leur qualité. Cependant, noter que cette garantie à vie deviendra nulle si le boîtier est mal utilisé, malmené ou altéré par du personnel non qualifié. Elle ne couvre pas l'usure normale et n'est pas transférable.

À QUOI S'ATTENDRE EN CAS DE DÉFAUT

Si, pendant la période de garantie, votre équipement ou ses composants d'origine présentent un défaut couvert par cette garantie, vous disposez de plusieurs options. Vous pouvez le réparer vous-même après avoir reçu les pièces nécessaires de Portacool ou le faire remplacer entièrement par un tout nouveau produit du même modèle, à la discrétion de Portacool.

GARANTIE

FRAIS D'EXPÉDITION

N'oubliez pas que tous les frais de transport liés à l'envoi de l'équipement ou de ses composants pour remplacement ou réparation dans le cadre de cette garantie seront à votre charge en tant qu'acheteur.

Annulation de la garantie

CETTE GARANTIE DEVIENT NULLE SI :

1. L'Équipement ou ses composants ont été mal utilisés, malmenés, réparés ou altérés par des personnes non qualifiées.
2. Des composants du produit ont été remplacés par des pièces de rechange Portacool non autorisées.
3. Le produit a été modifié de quelque manière que ce soit, à l'exception des réparations effectuées par des personnes qualifiées qui utilisent des pièces de rechange Portacool.
4. Le produit n'a pas été enregistré de manière appropriée par son acheteur d'origine.
5. Le client ne peut pas fournir de preuve d'achat en tant que propriétaire initial du produit.

LIMITATION DE RESPONSABILITÉ DE PORTACOOOL

En cas de violation de toute garantie implicite ou écrite relative à l'Équipement ou à ses pièces, la responsabilité de Portacool est limitée. Nous ne serons pas responsables de tout dommage accidentel ou consécutif, et notre responsabilité pour de telles violations n'excédera pas le coût de remplacement ou de réparation de l'Équipement. Votre satisfaction est essentielle pour nous et nous nous engageons à vous fournir des produits et un support de qualité supérieure.

CONTACT US

ENGLISH

CUSTOMER SERVICE CONTACT
1-936-598-5651
1-800-695-2942
SUPPORT@PORTACOOOL.COM

TECHNICAL/PARTS CONTACT
1-936-598-5651
1-800-695-2942
SUPPORT@PORTACOOOL.COM
VISIT PORTACOOOL.COM OR CALL
1-936-598-5651
FOR MORE INFORMATION

PORTACOOOL, LLC
Manufacturer of Portacool™
portable evaporative coolers
711 FM 2468
Center, Texas 75935
936-598-5651
www.portacool.com

ESPAÑOL

CONTACTO DE SERVICIO AL CLIENTE
1-936-598-5651
1-800-695-2942
SUPPORT@PORTACOOOL.COM

1-936-598-5651
1-800-695-2942
SUPPORT@PORTACOOOL.COM
VISITA PORTACOOOL.COM O LLAME AL
1-936-598-5651
PARA MÁS
INFORMACIÓN

PORTACOOOL, LLC
Fabricante de Portacool™
enfriadores evaporativos portátiles
711 FM 2468
Center, Texas 75935
936-598-5651
www.portacool.com

FRANÇAIS

CONTACT DU SERVICE CLIENTÈLE
1-936-598-5651
1-800-695-2942
SUPPORT@PORTACOOOL.COM

CONTACT DU SUPPORT TECHNIQUE/ PIÈCES
1-936-598-5651
1-800-695-2942
SUPPORT@PORTACOOOL.COM
VISITEZ LE SITE PORTACOOOL.COM
OU APPELEZ LE
1-936-598-5651
POUR PLUS D'INFORMATIONS

PORTACOOOL, LLC
Fabricant des refroidisseurs par évapora-
tion portables PortacoolMC et des médias
711 FM 2468
Center, Texas 75935
936-598-5651
www.portacool.com



PORTACOOOL

Portacool | 711 FM 2468 Center, TX 75935 | www.portacool.com

PEAK COOLING, INTELLIGENT CONTROL